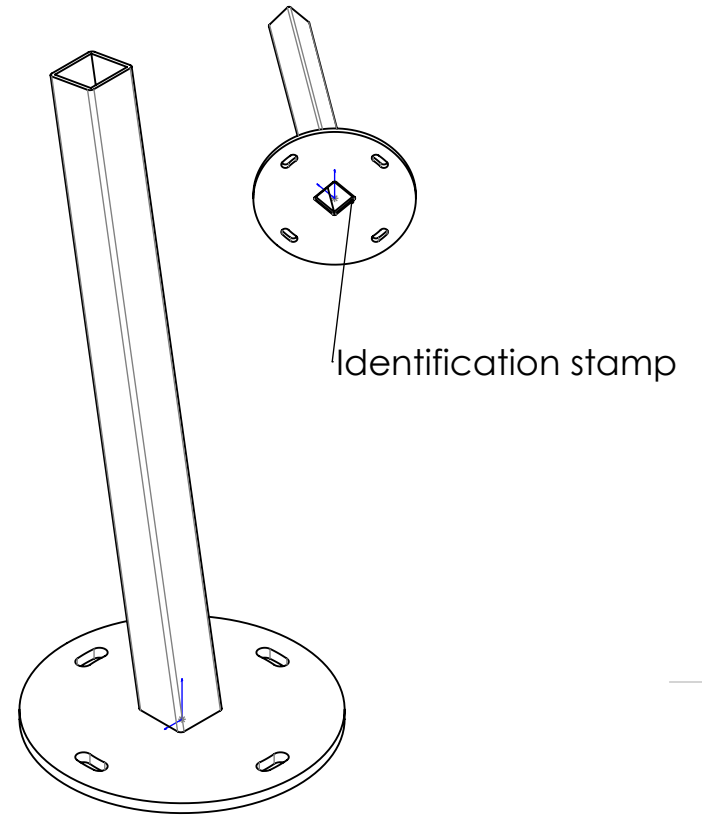
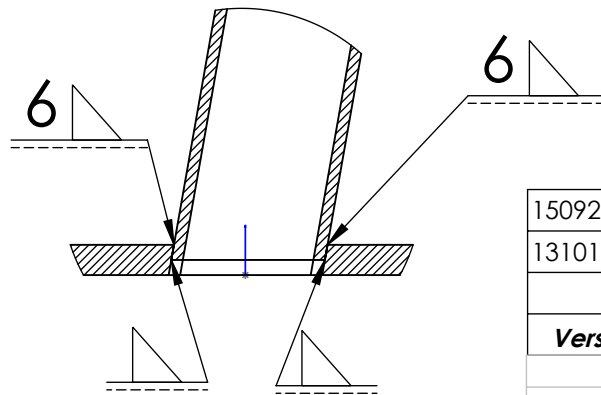


DETAIL E
SCALE 1 : 2



150921	added slotted holes
131015	holes of diam 12
	original version
Version	Revision remark

	NAME	DATE	REF. :
DRAWN	Pieter	15-10-2013	
INT APPV'D			
EXT APPV'D			

UMFIXS215G8000RO

Description: Round support galvanised - Angle 80°

Material: Steel
Finishing: Hot dip galvanised



A4

WEIGHT:

SCALE:1:4

SHEET 1 OF 1