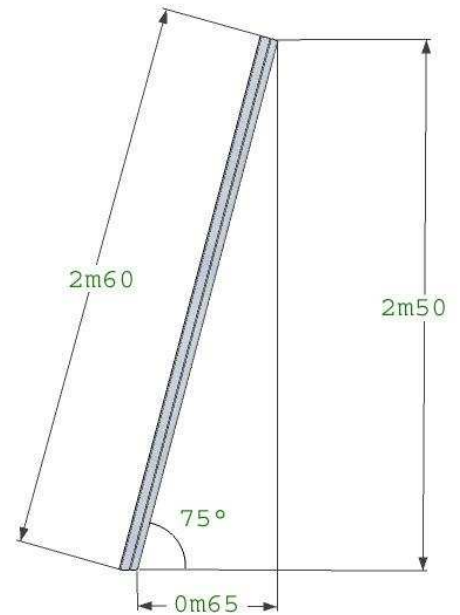


Pole 75/90°

Anodized Alu profile with a length of 2.60m..

Is always delivered complete with a sliding conductor used for hooking on and adjusting the height of an 'Ingenua' shade sail.

A [connecting piece](#) which is only useful if the pole is placed at a [90°](#) soil anchor, is also provided.

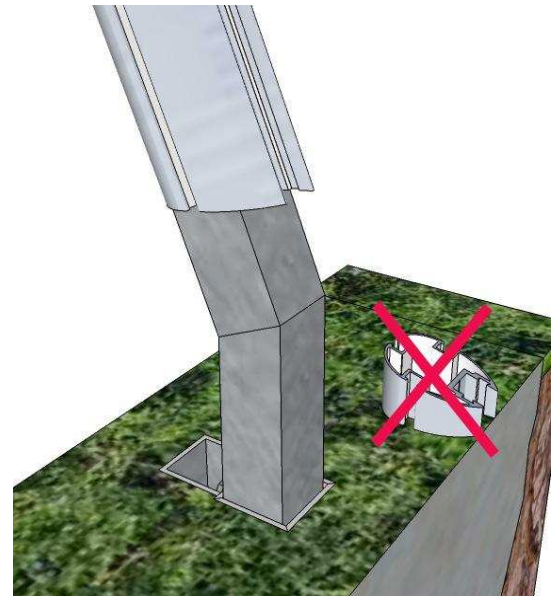
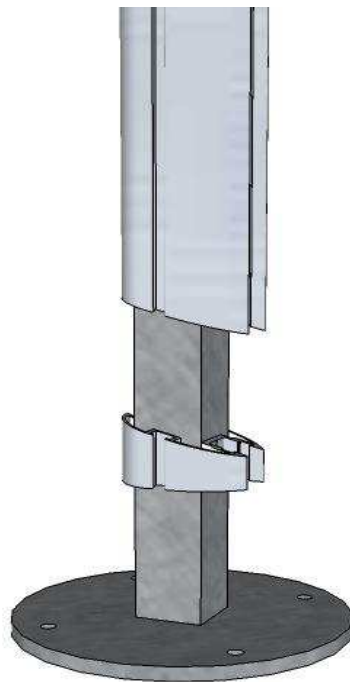


Pole assembly 90° on a straight support

Pole assembly 75° on a concrete anchor

Connecting piece is not required

2 m 60



[Connecting piece 90°](#). Is always delivered together with the entire package. Only to be used to connect the sloping underside of the pole to the bottom, in case a straight (90°) soil connection is used.