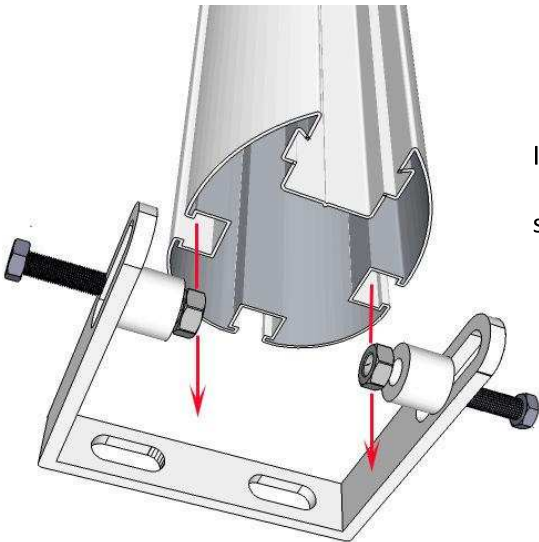


Set WALL ANCHORS stainless steel

U-shaped handles made from stainless steel

Sold in pairs

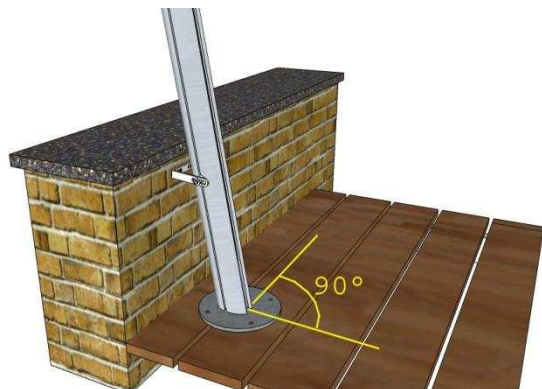


Is meant to be used for the fixation of an 'Ingenua' pole to a solid wall that is positioned sideways (wall, balustrade, etc)

Use of wall anchors



Fixation sideways 90° to a solid wall, balustrade, etc

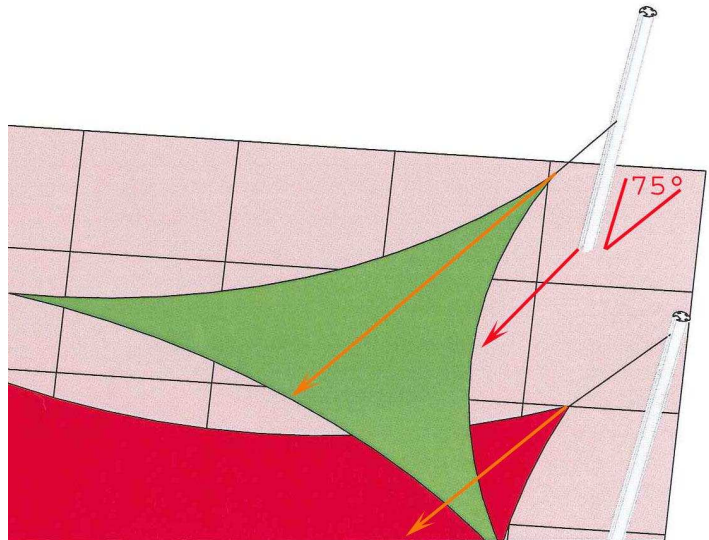


Fixation sideways 75°, in combination with a round support.

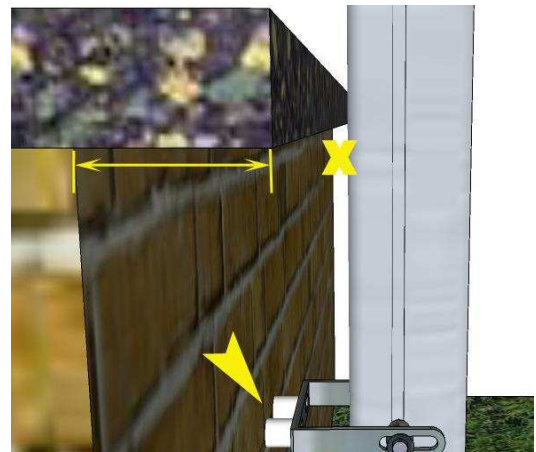
Warning!

- A. If you use the fixation method mentioned above, the pole with its glide groove will always be positioned rectangular to the wall which it is adjusted to.

Note: Should a pole be placed at an angle of 75° , the sloping side should be aimed at the bisecting line (imaginary line that divides an angle into two equal parts).



- B. If protruding edges hinder the installation, you can also use spacer sleeves (e.g. pieces of tube or 1 to 2 nuts...)



- C. Distance between wall and pole:

