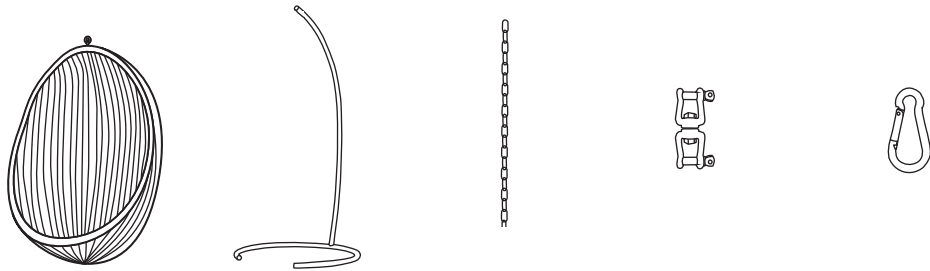


Installation guide for Hanging Egg Chair on stand

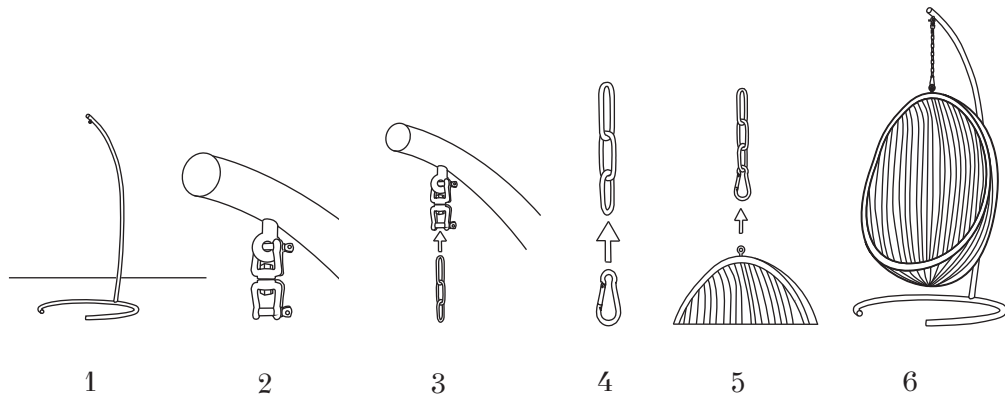
Parts:

1 x Hanging Egg Chair 1 x Stand 1 x 43cm chain 1 x Swivel 1 x Snap Hook



Assemble instructions:

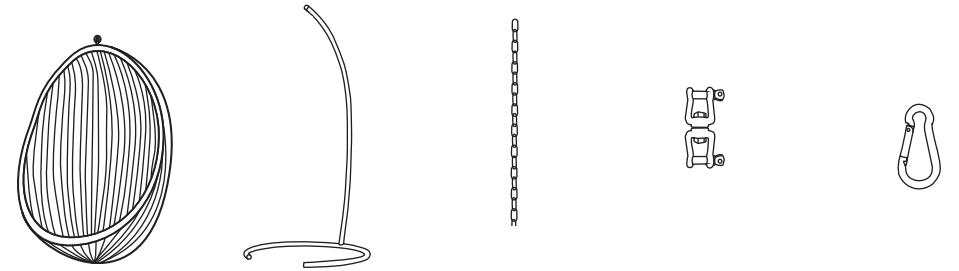
1. Place the stand on flat ground
2. Fix the swivel to the eyebolt on the stand
3. Fix the chain to the end of the swivel
4. Fix the snap hook to the chain
5. Attach the eye on Hanging Egg Chair to the snap hook
6. The chair is ready to suspend and use



Installation guide for Hanging Egg Chair on stand

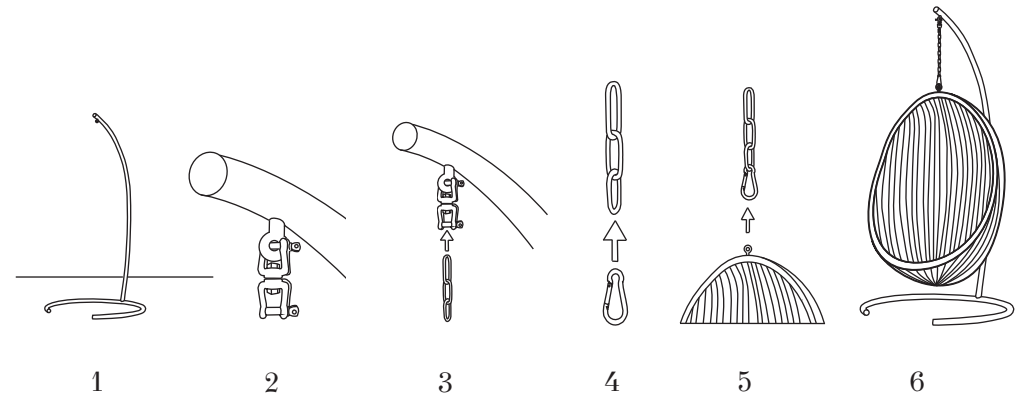
Parts:

1 x Hanging Egg Chair 1 x Stand 1 x 43cm chain 1 x Swivel 1 x Snap Hook



Assemble instructions:

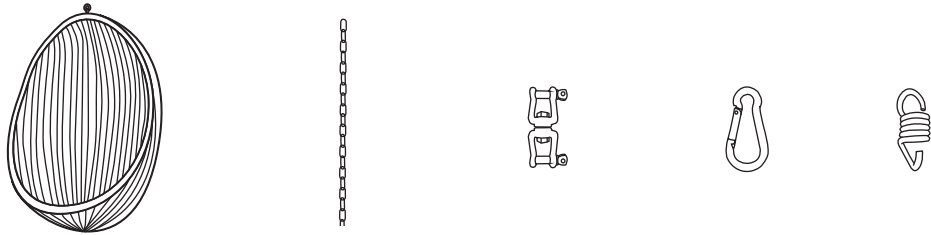
1. Place the stand on flat ground
2. Fix the swivel to the eyebolt on the stand
3. Fix the chain to the end of the swivel
4. Fix the snap hook to the chain
5. Attach the eye on Hanging Egg Chair to the snap hook
6. The chair is ready to suspend and use



Installation guide for Hanging Egg Chair from ceiling

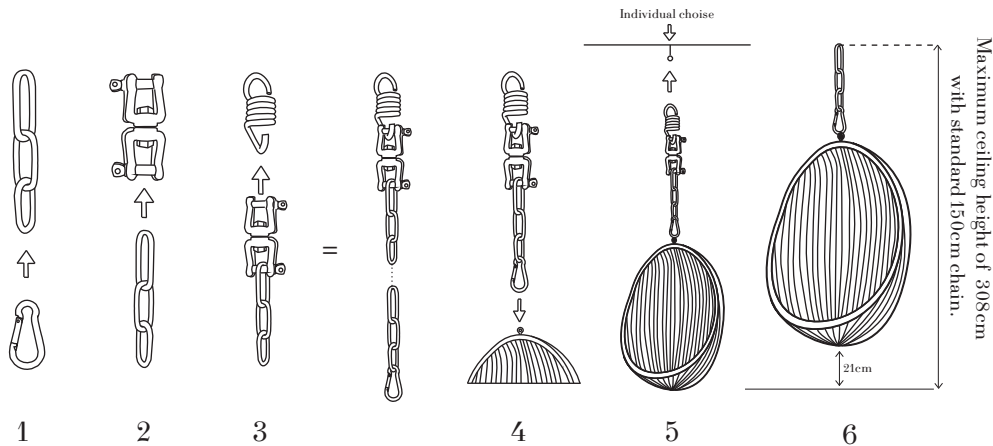
Parts:

1 x Hanging Egg Chair 1 x standard chain 150cm, or customized chain 1 x Swivel 1 x Snap Hook 1 x Spring



Assemble instructions:

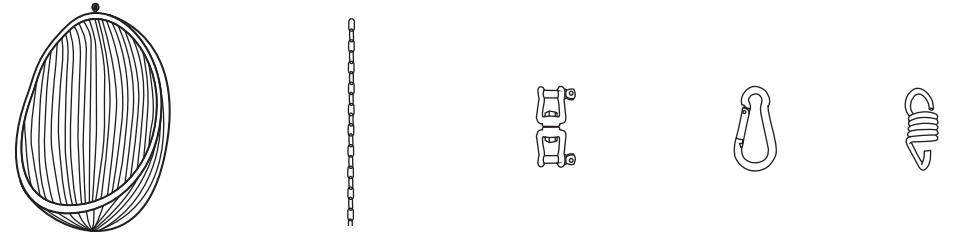
1. Attach snap hook to chain
2. In the other end of the chain fix the swivel
3. Attach the swivel to the spring
4. Now, attach the snap hook to the Hanging Egg Chair
5. According to ceiling type, acquire appropriate mounting parts
6. The chair is now ready to suspend and use



Installation guide for Hanging Egg Chair from ceiling

Parts:

1 x Hanging Egg Chair 1 x standard chain 150cm, or customized chain 1 x Swivel 1 x Snap Hook 1 x Spring



Assemble instructions:

1. Attach snap hook to chain
2. In the other end of the chain fix the swivel
3. Attach the swivel to the spring
4. Now, attach the snap hook to the Hanging Egg Chair
5. According to ceiling type, acquire appropriate mounting parts
6. The chair is now ready to suspend and use

