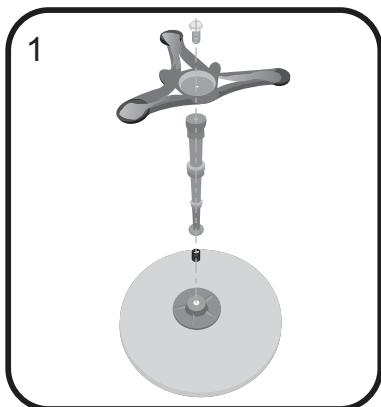
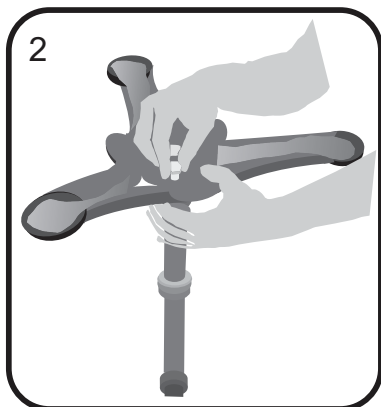


Brafab

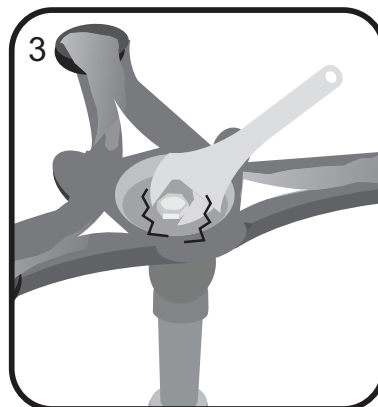
Outstanding Outdoor Spaces



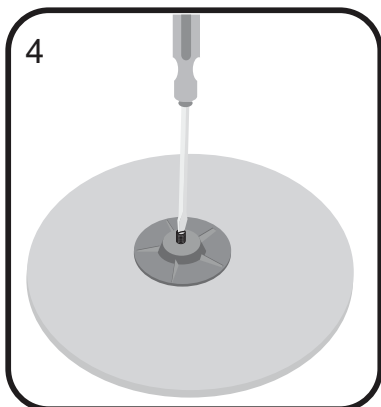
1
Installation instructions for the round marble tables.



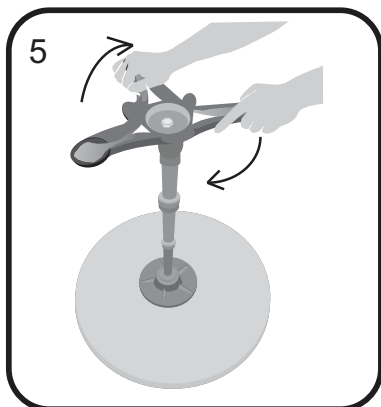
2
Hold your foot against a table leg with one hand and insert the bolt with the other.



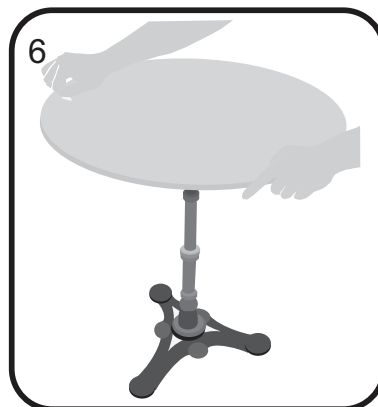
3
Tighten the bolt with a spanner.



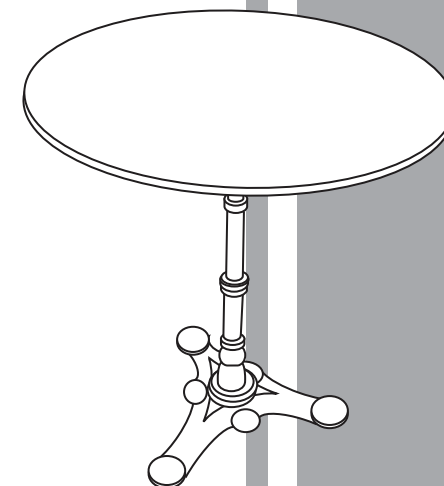
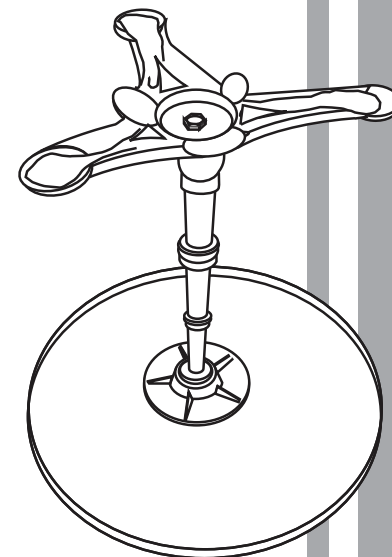
4
Attach the other screw on the desk with a screwdriver.



5
Fit the feet and legs on the table by turning them around clockwise.



6
Check that the table top securely.



MARBLE TABLE
Bord 60cm



5845
5845-4
5845-8