



# TIMOTHY OULTON

## ASSEMBLY INSTRUCTION

GYRO MED PENDANT 82CM

### PARTS ENCLOSED

ITEMS	DIAGRAM	DESCRIPTION	QTY.
(A)		<b>Junction Box</b> (Not included) 100LB. MIN. FIXTURE RATED	1
(B)		<b>Ceiling Hook</b>	1
(C)		<b>Mounting Screws</b> (Not included)	1 Set
(D1)		<b>Canopy</b>	1
(D2)			
(E1)		<b>Collar</b>	1
(E2)		<b>Hang Straight</b>	
(E3)		<b>Chain</b>	
(E4)		<b>Quick link</b>	
(F1)		<b>Wire Nut</b>	3
(F2)		<b>Terminal Box</b>	1
(G)		<b>Candle Sleeve</b>	7
(H)		<b>Bulb + Spare</b> (E14 for EU/E12 for US)	7+2
(I)		<b>Body</b>	1

### IMPORTANT SAFETY INSTRUCTIONS:

1. Use an authorized and certified electrician for consultation and installation.
2. This fixture has been rated for 7 x 25-watt maximum standard bulb.
3. To avoid the risk of fire, do not exceed the recommended wattage.
4. The ceiling must have at least the capacity of 5 times the weight of the ceiling light.  
For this light at least a ceiling capacity of 25kg is required.
5. The manufacturer and distributor accepts no liability for incorrect installation.
6. For indoor use only.
7. Keep away from children.

### Warnings:

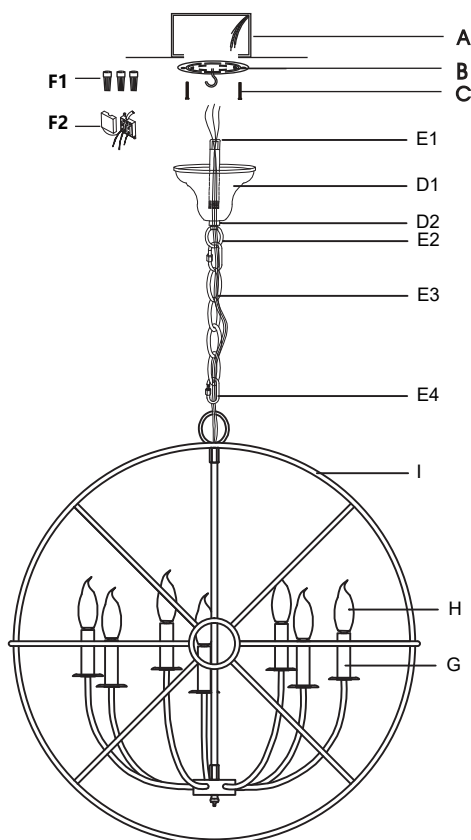
1. Turn-off electricity supply at main circuit panel before installing. Do not connect electricity supply until your ceiling light is fully assembled and installed.
2. All wires are connected. Do not remove the ceiling light from its packaging by pulling on the power cord, as a bad connection may result.
3. To reduce the risk of fire, electrical shock, or personal injury, always turn off the ceiling light and allow it to cool prior to replacing light bulb. Do not touch bulb when fixture is turned on or look directly at light bulb. Keep flammable materials away from light bulb.
4. Deviation from instructions may result in a risk of fire or electric shock.

### PRODUCT DESCRIPTION:

General material: Iron  
 Height: 89.0 cm  
 Diameter: 82.0 cm  
 Weight: 5.0 kg  
 Grounded / Hardwired

### TO ASSEMBLE:

1. Carefully remove all parts from the box and remove all plastic covering.
2. Turn OFF power to the junction box where the ceiling light will be installed.
3. Loosen the bolt of hang straight (E2) and remove the collar (E1) from the hang straight (E2) by unscrewing it. Then insert collar (E1) into canopy (D1) and re-attach collar (E1) to hang straight (E2). Tighten the bolt of the hang straight (E2).
4. Unlock the quick link (E4) at the opposite end of the chain (E3) to attach the chandelier body (I).
5. Attach the ceiling hook (B) to the ceiling with mounting screws (C).
6. Attach end of the collar (E1) to the ceiling hook (B).
7. Connect wires from the fixture to the ceiling wires referring to **Wire & Safety Guidelines** with wire nuts (F1) or terminal box (F2).
8. Move the canopy (D1) up to the ceiling, then fasten the bolt (D2).
9. Cover lampholders with candle sleeves (G).
10. Fasten lightbulbs (H) to the lampholders.
11. Restore power to the junction box and test ceiling light fixture.



### CARE INSTRUCTIONS:

1. Make sure that the power is turned off and bulb has cooled before handling.
2. Wipe clean with a dry cloth / mild soapy solution. Do not use corrosive cleaners.
3. The cable/cord of this ceiling light cannot be replaced: If the cable is damaged, do not use the light.

### ENVIRONMENT:

Special waste handling may be required. Please contact your local authorities for more information.