

We recommend two people be on hand for this assembly

Tools required :
- 4mm allen key (included)

GOTLAND 150x65cm

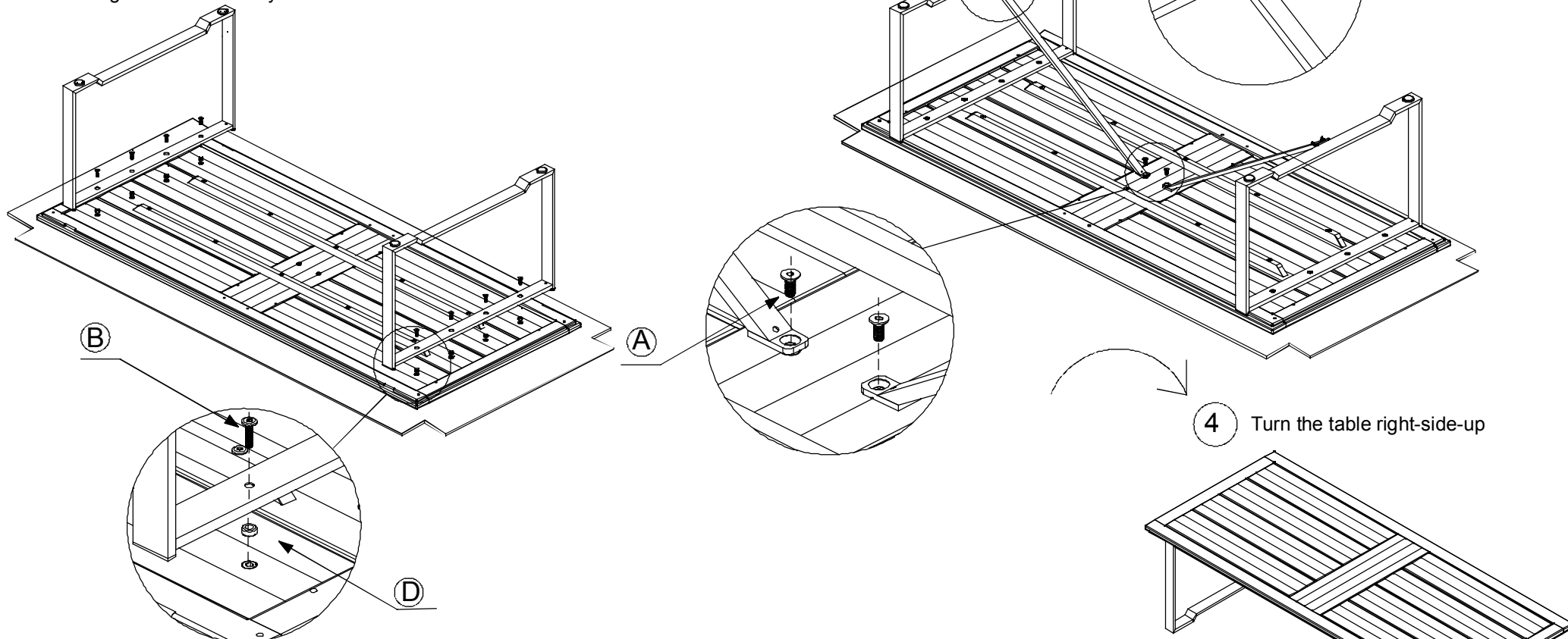
ASSEMBLY INSTRUCTION

- 1 Flatten the supplied carton and use it as a protective work surface. Line the 2 leg assemblies up with the teak top and assemble them loosely in place with the M6x25mm JCBC bolts. Make sure to place the PE washers \varnothing 12.7mm between teak top and the leg assembly.
- Do not tighten the bolts fully.

- 2 Place the stainless steel diagonal supports and loosely secure them with the M6x12 mm flat head bolts that run into the table top prior to loosely securing the M6x12mm dome head bolt that run into the legs

- 3 Tighten all bolts fully using supplied allen keys

- 4 Turn the table right-side-up

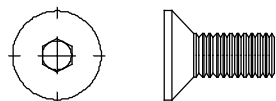


A Flat Head M6x12mm

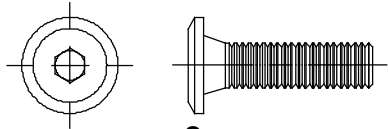
B JCBC M6x25mm

C Dome Head M6x12mm

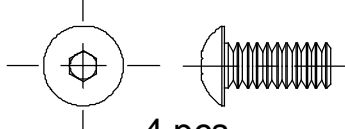
D PE Washer \varnothing 12.7mm



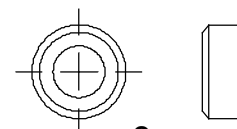
2 pcs



8 pcs



4 pcs



8 pcs