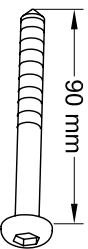
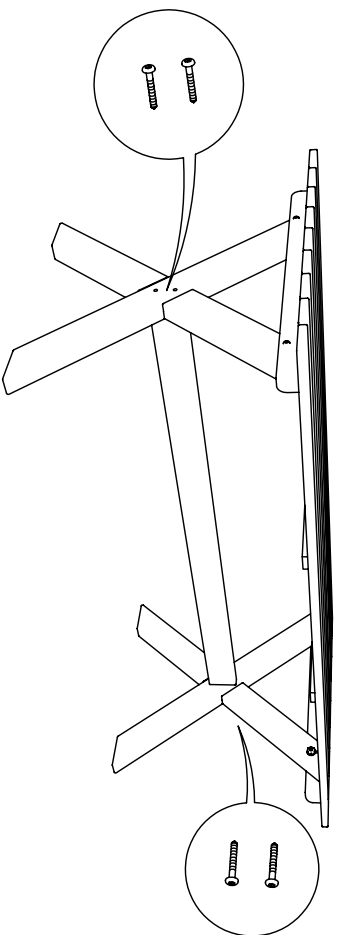


KSPS790



1

4



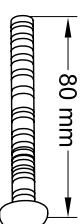
9282



M8



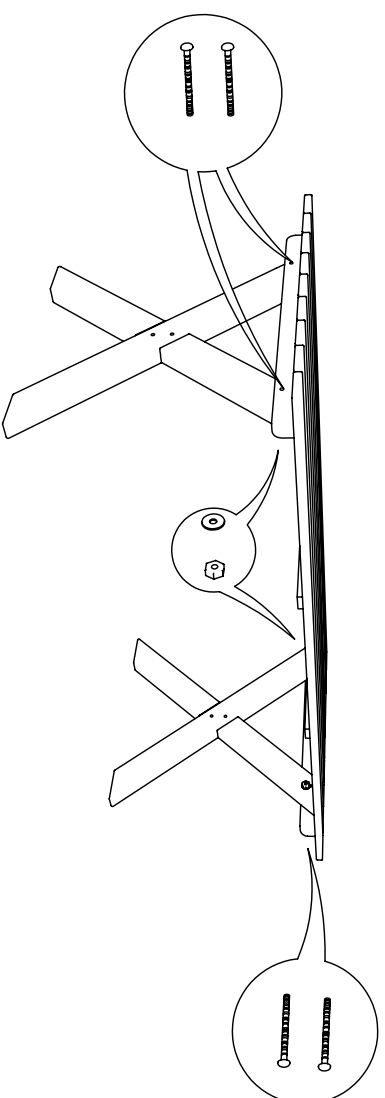
M880VB



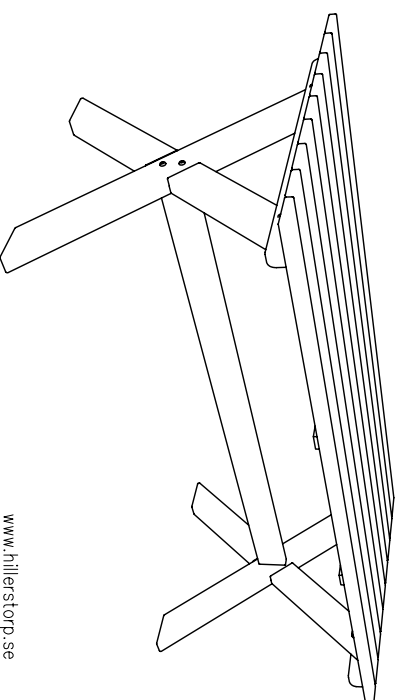
4

4

4



BORD SHABBY CHIC 3579019 – 3579016



www.hillerstorp.se

Reg.Nr 3579019 / 3579016
 Utg. 1
 Datum 20110128

