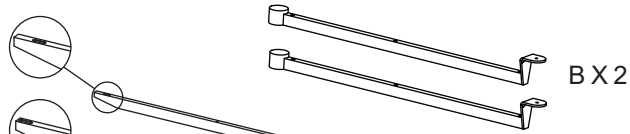


A X 1



B X 2



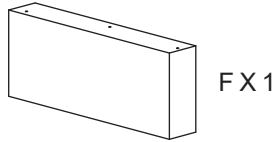
C X 1



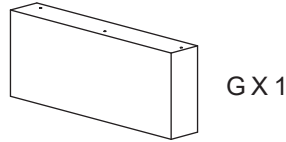
D X 1



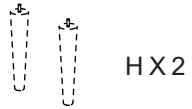
E X 1



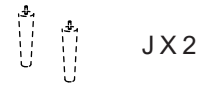
F X 1



G X 1



H X 2



J X 2

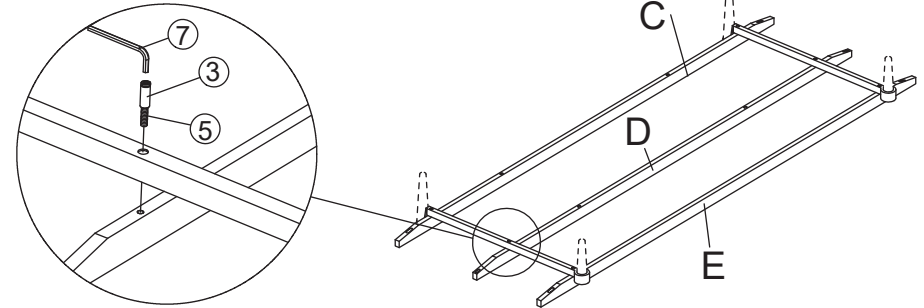
- ①x4
- ②x4
- ③x6
- ④x2
- ⑤x16
- ⑥x2
- ⑦x1
- ⑧x1



069546

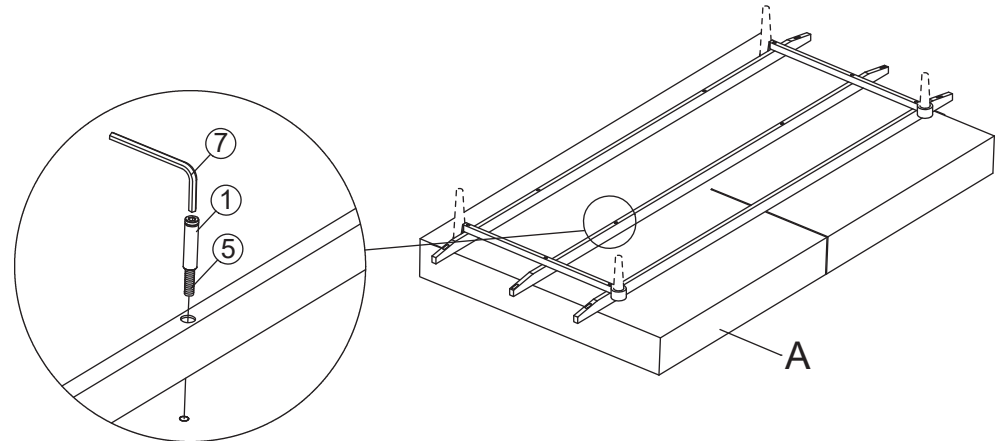
3

- ③x6
- ⑤x6

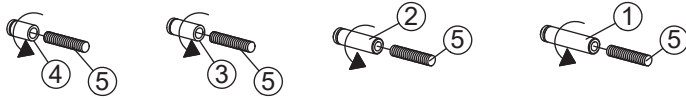


4

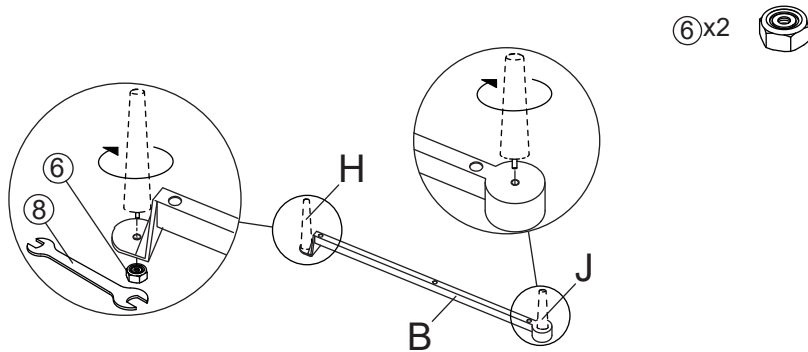
- ①x4
- ⑤x4



1

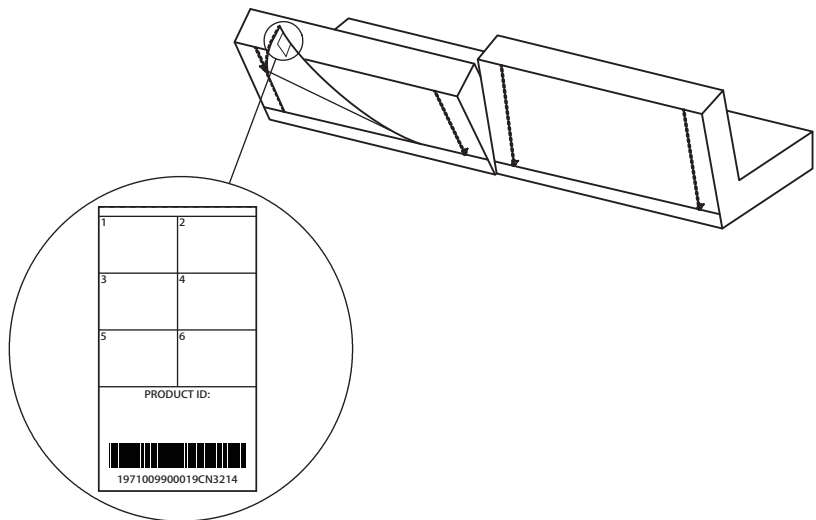
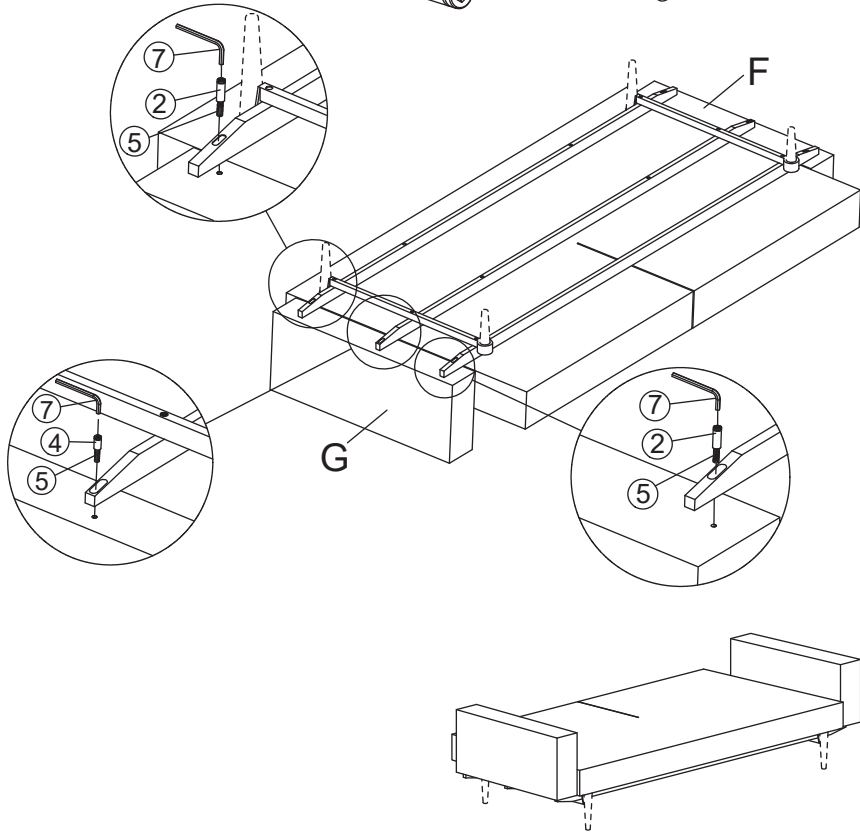


2



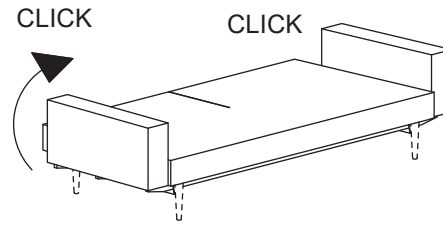
5

②x4    ④x2    ⑤x6

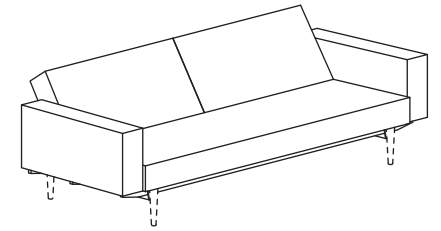


069546

1

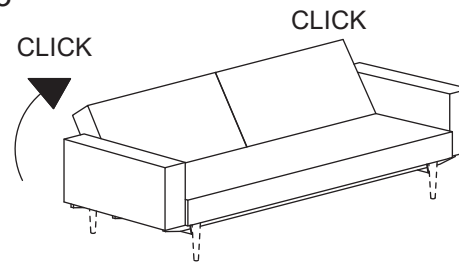


2

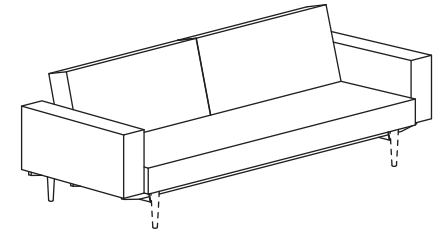


HVILE-RUHEN-RELAX-REPOSER

3

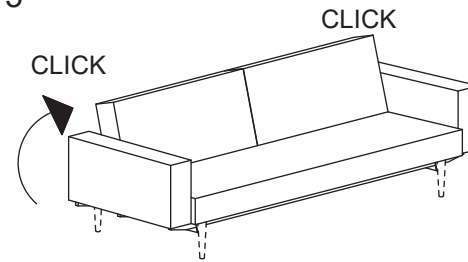


4

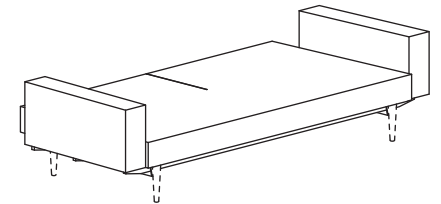


SIDDE-SITZEN-SIT-ASSISE

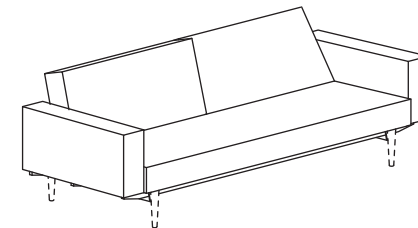
5



6



SOVE-SCHLAFEN-SLEEP-DORMIR



HVILE-RUHEN-RELAX-REPOSER/SIDDE-SITZEN-SIT-ASSISE