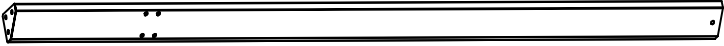
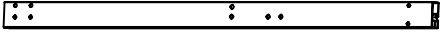
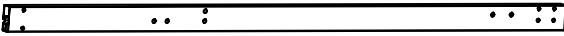

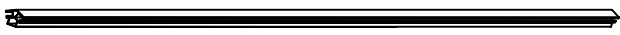

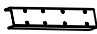

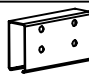


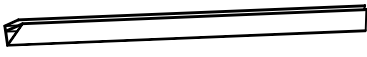
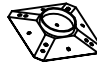

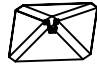

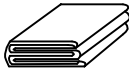

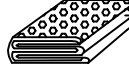



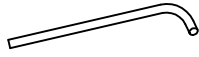






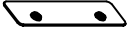

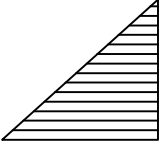
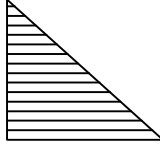
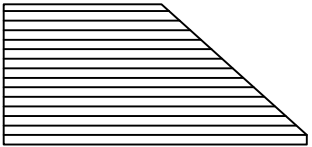
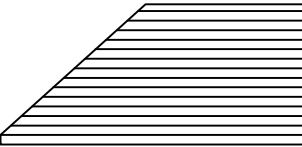
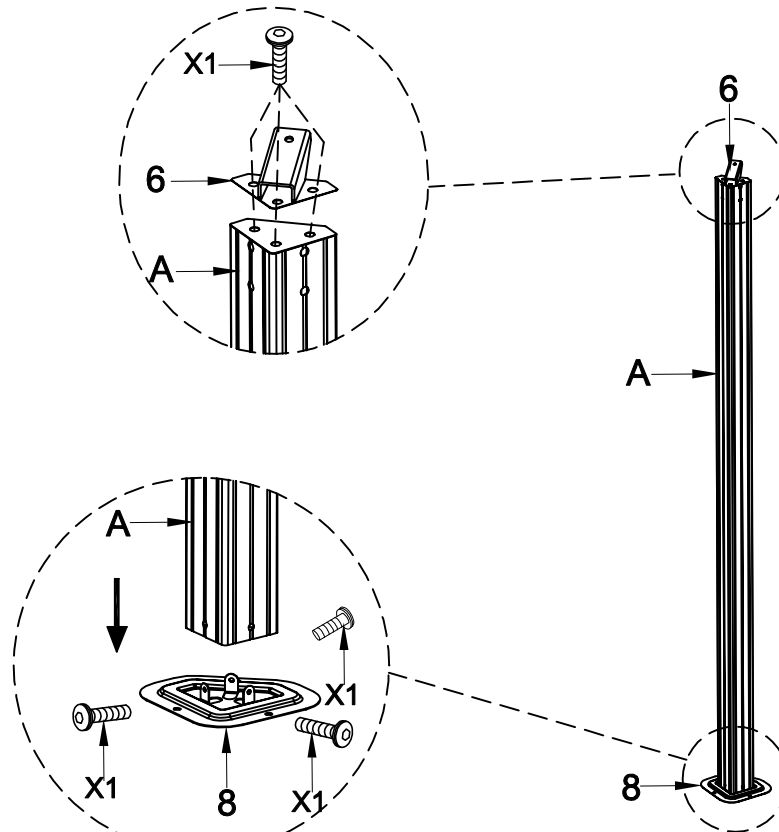


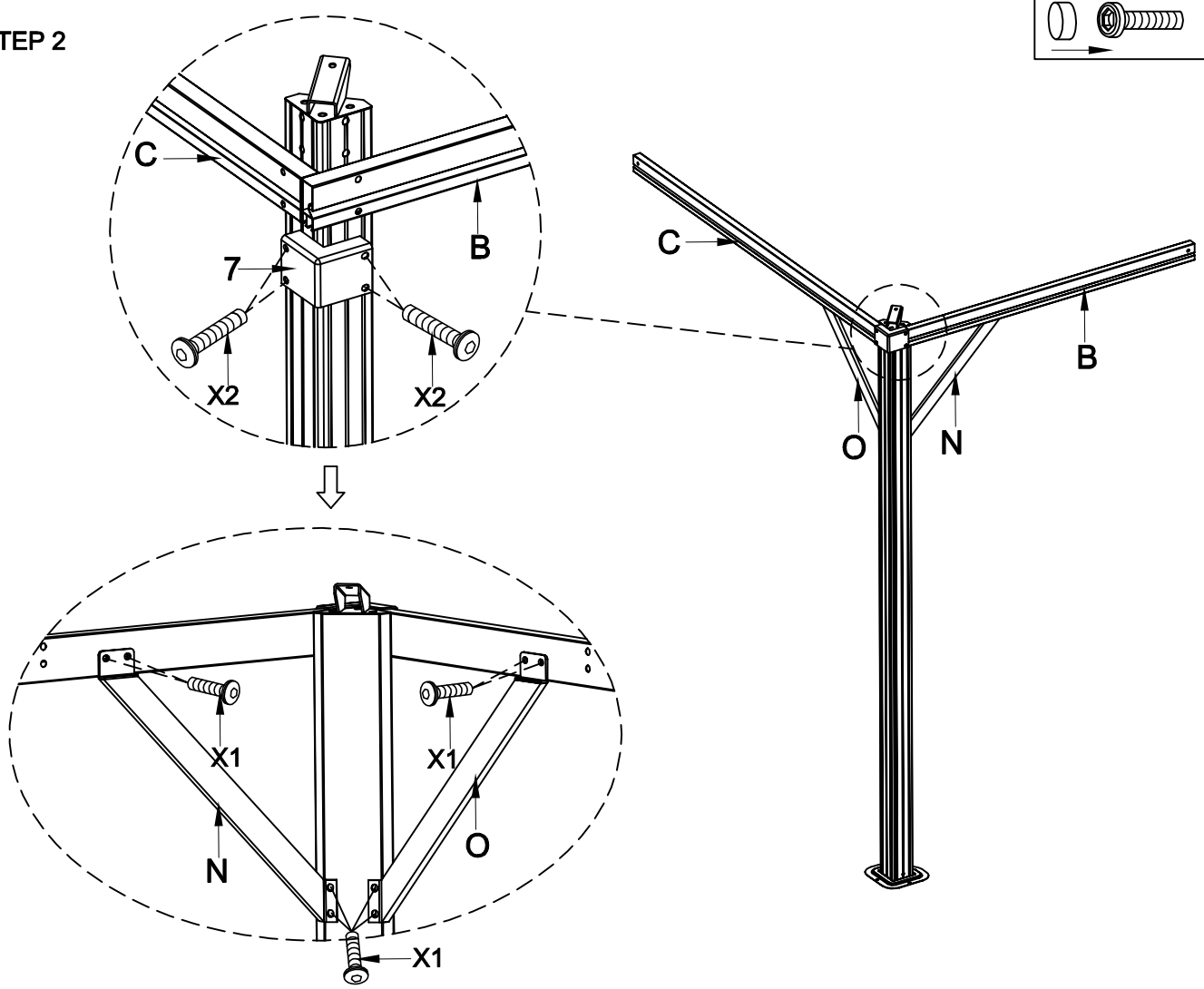
NO.	PARTS	QTY
A		4pcs
B		4pcs
C		4pcs
L		4pcs
M		4pcs

NO.	PARTS	QTY	NO.	PARTS	QTY
P		4pcs	10		4pcs
F		4pcs	11		4pcs
G		4pcs	12		4pcs
I		4pcs	13		1pc
J		4pcs	14		1pc
N		4pcs	15		4pcs
O		4pcs	16		4pcs
Q		4pcs	17		64pcs
R		4pcs	18		12pcs
6		4pcs	19		1pc
7		4pcs	20		169pcs
8		4pcs	X1	 M6*15	153pcs
9		4pcs	X2	 M6*40	16pcs
1		4pcs	4		4pcs
2		4pcs	5		4pcs

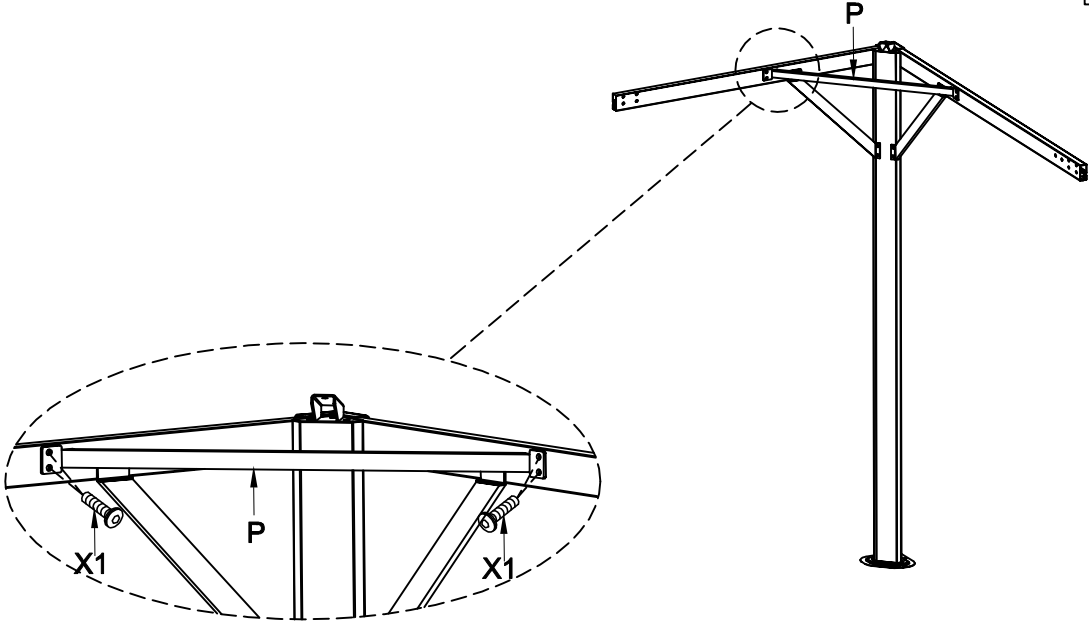
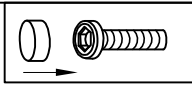
STEP 1



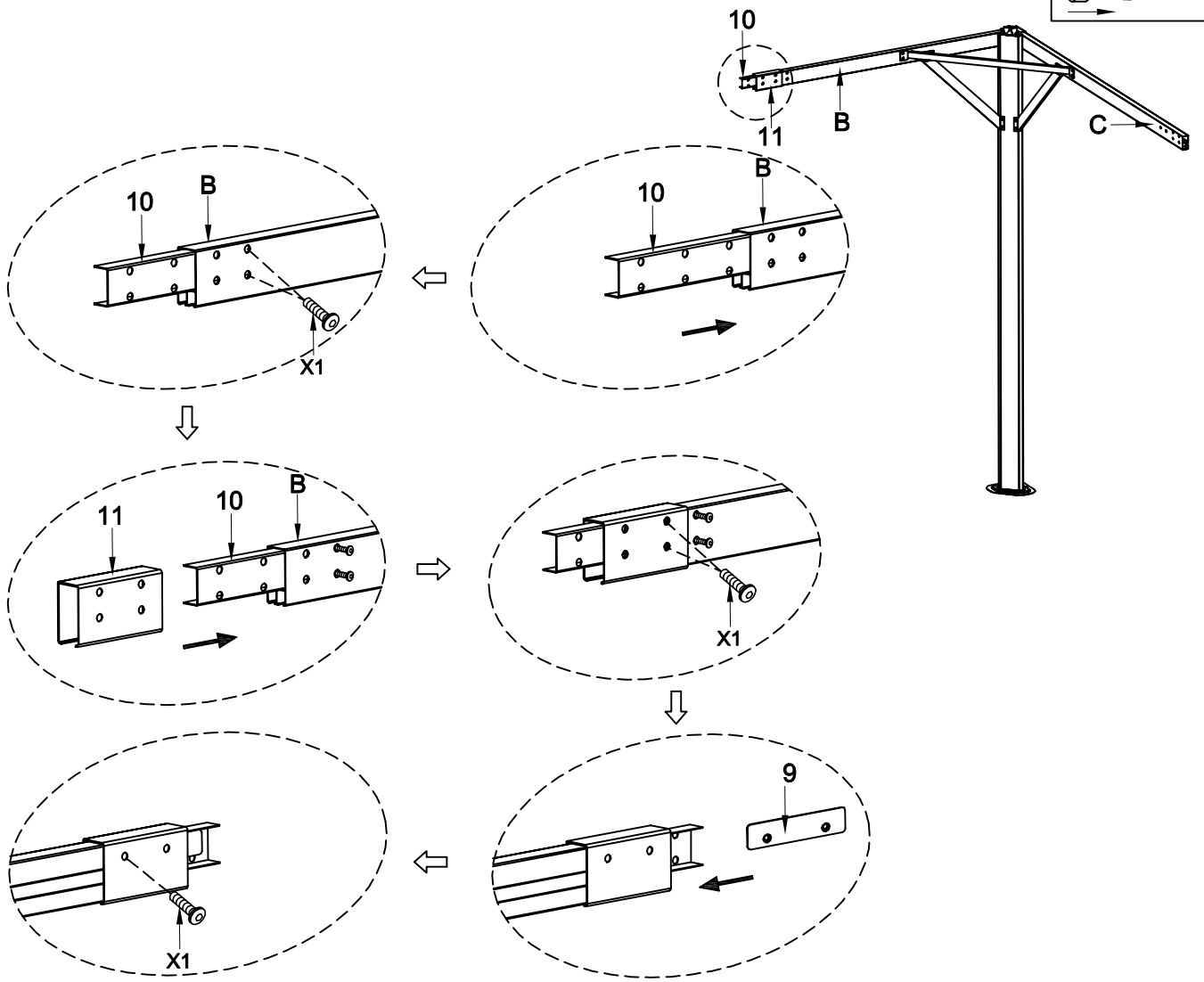
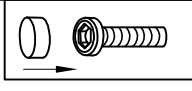
STEP 2



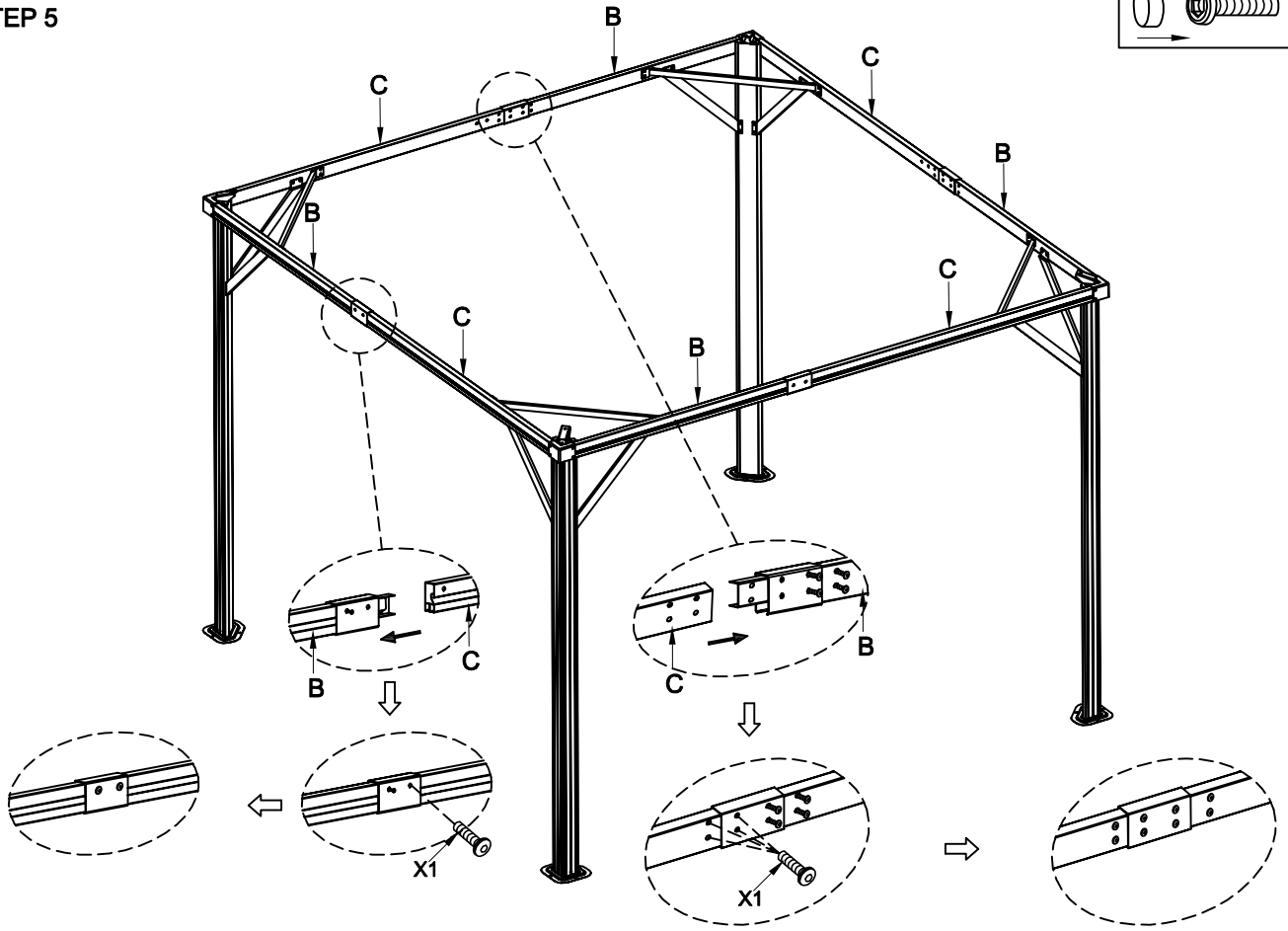
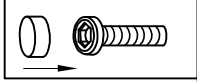
STEP 3



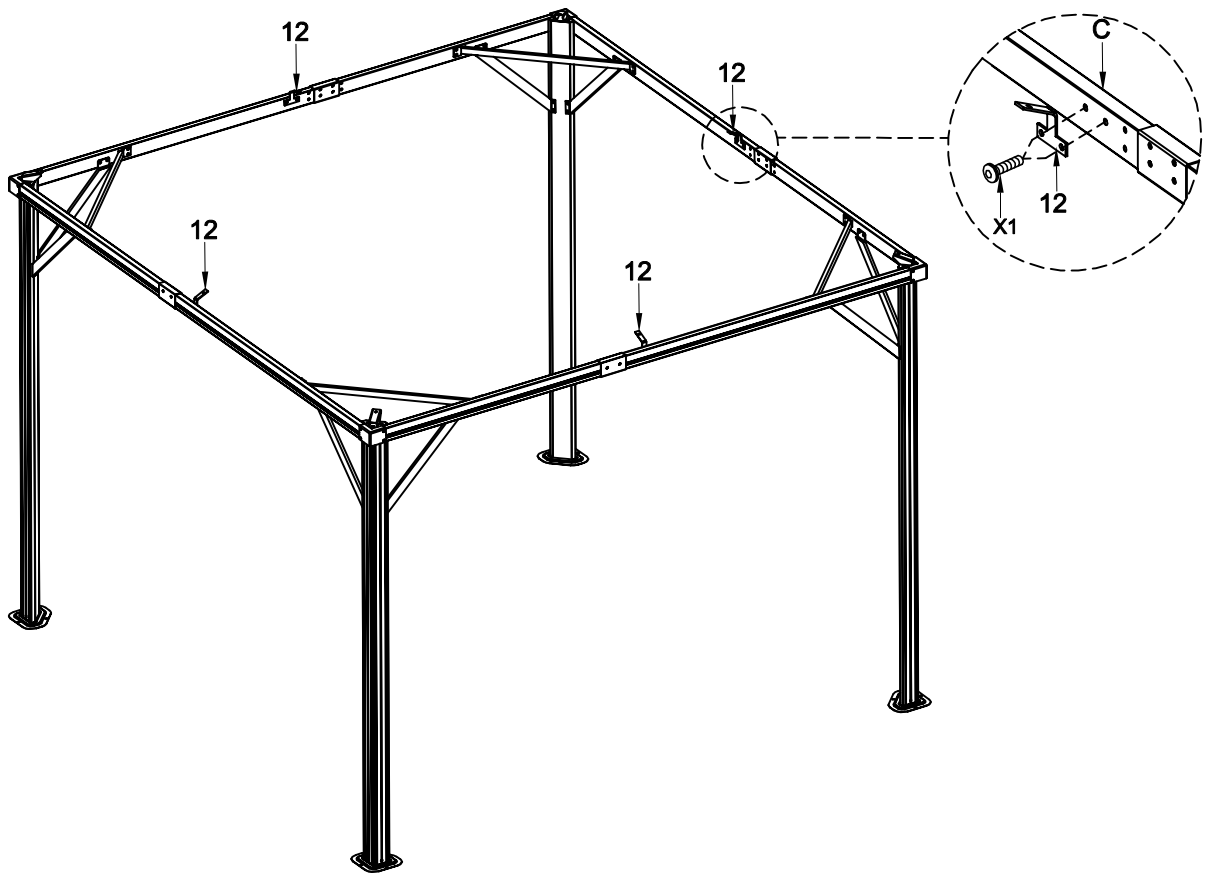
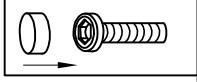
STEP 4



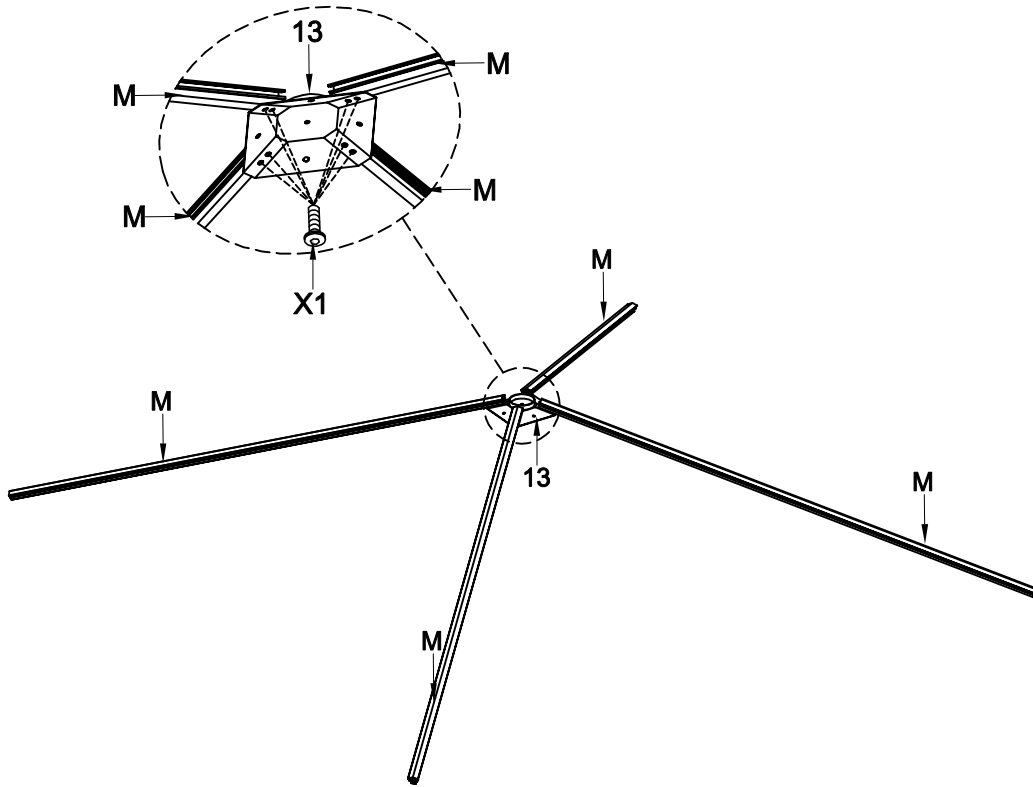
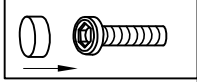
STEP 5



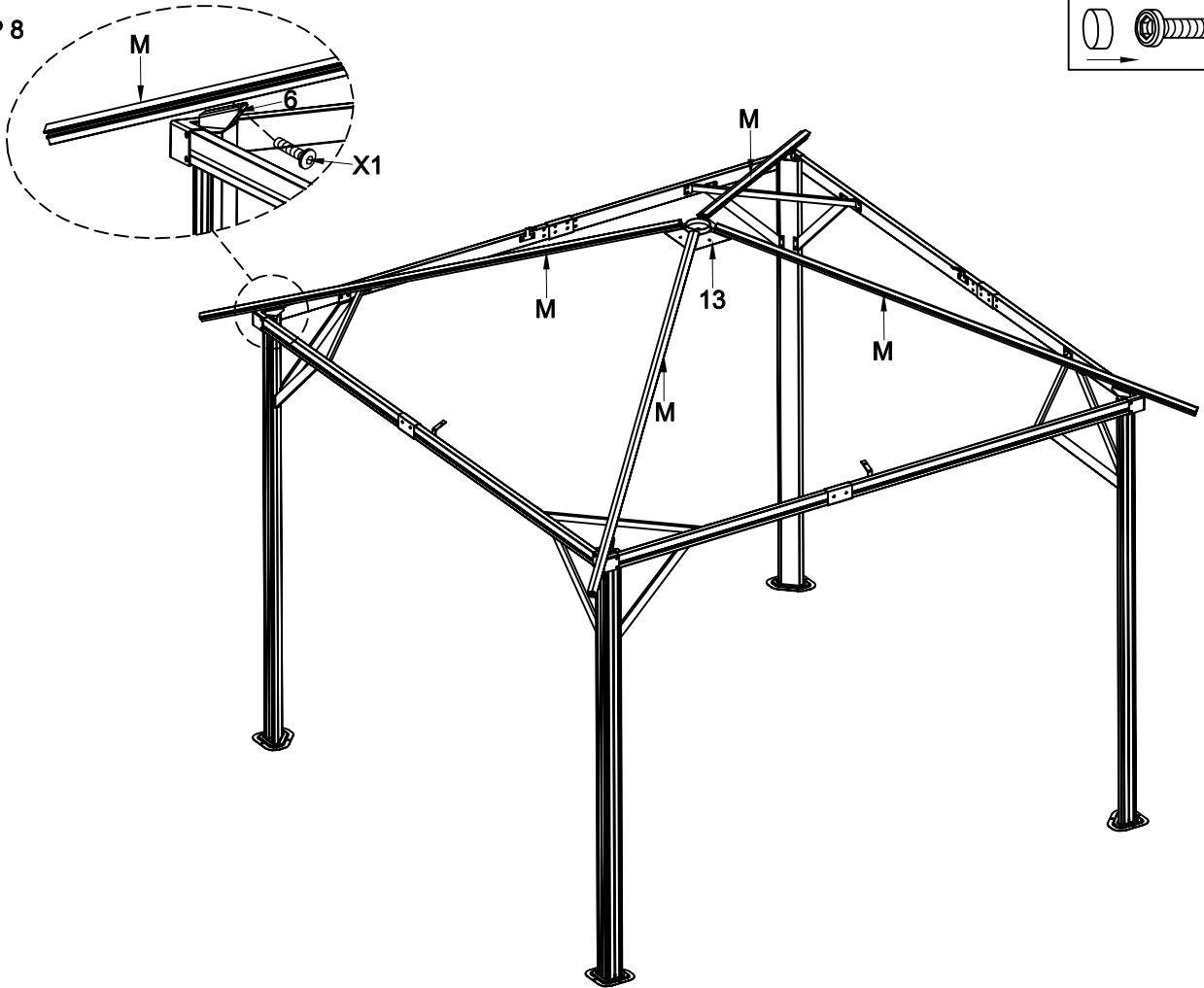
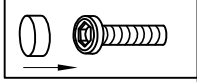
STEP 6



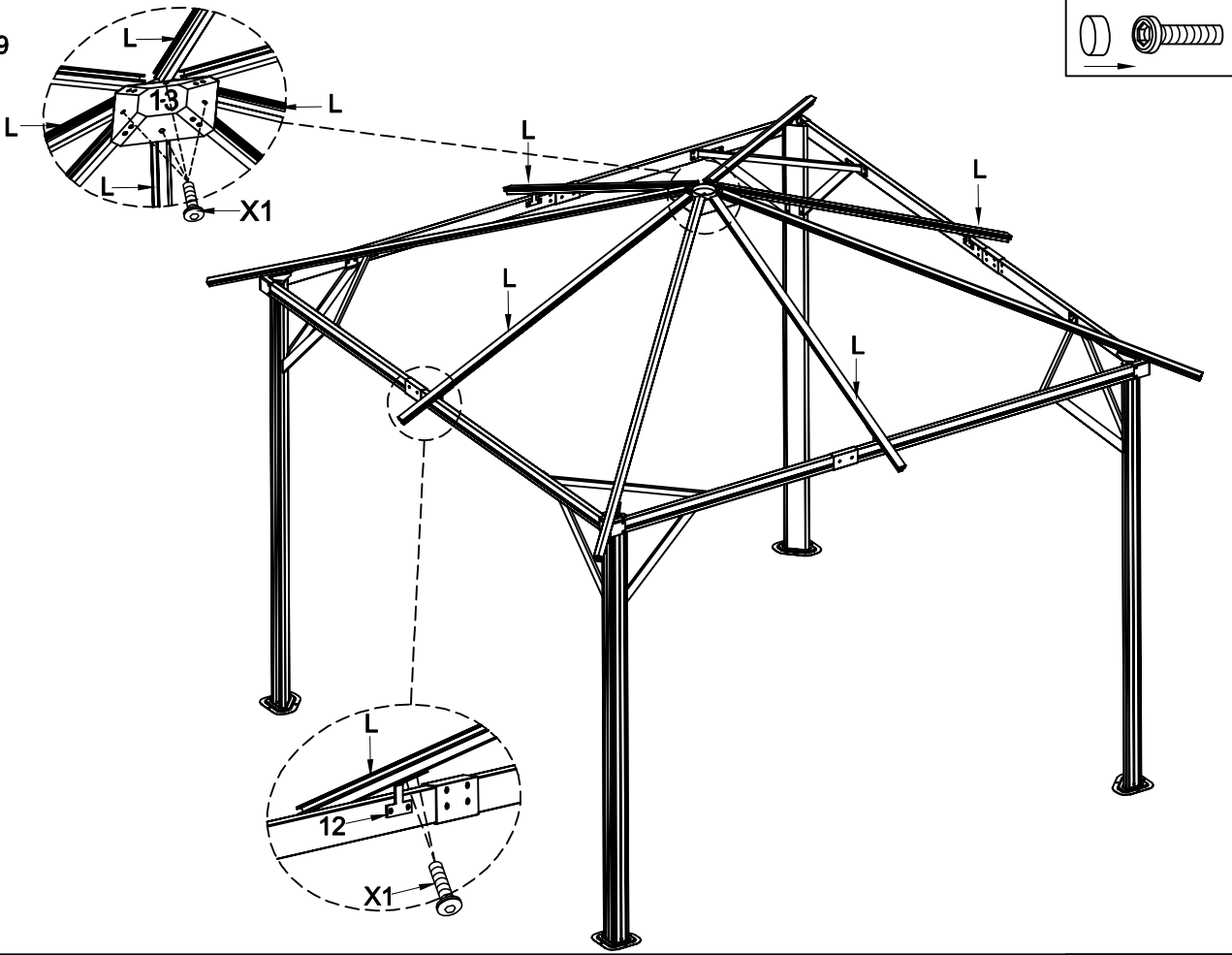
STEP 7



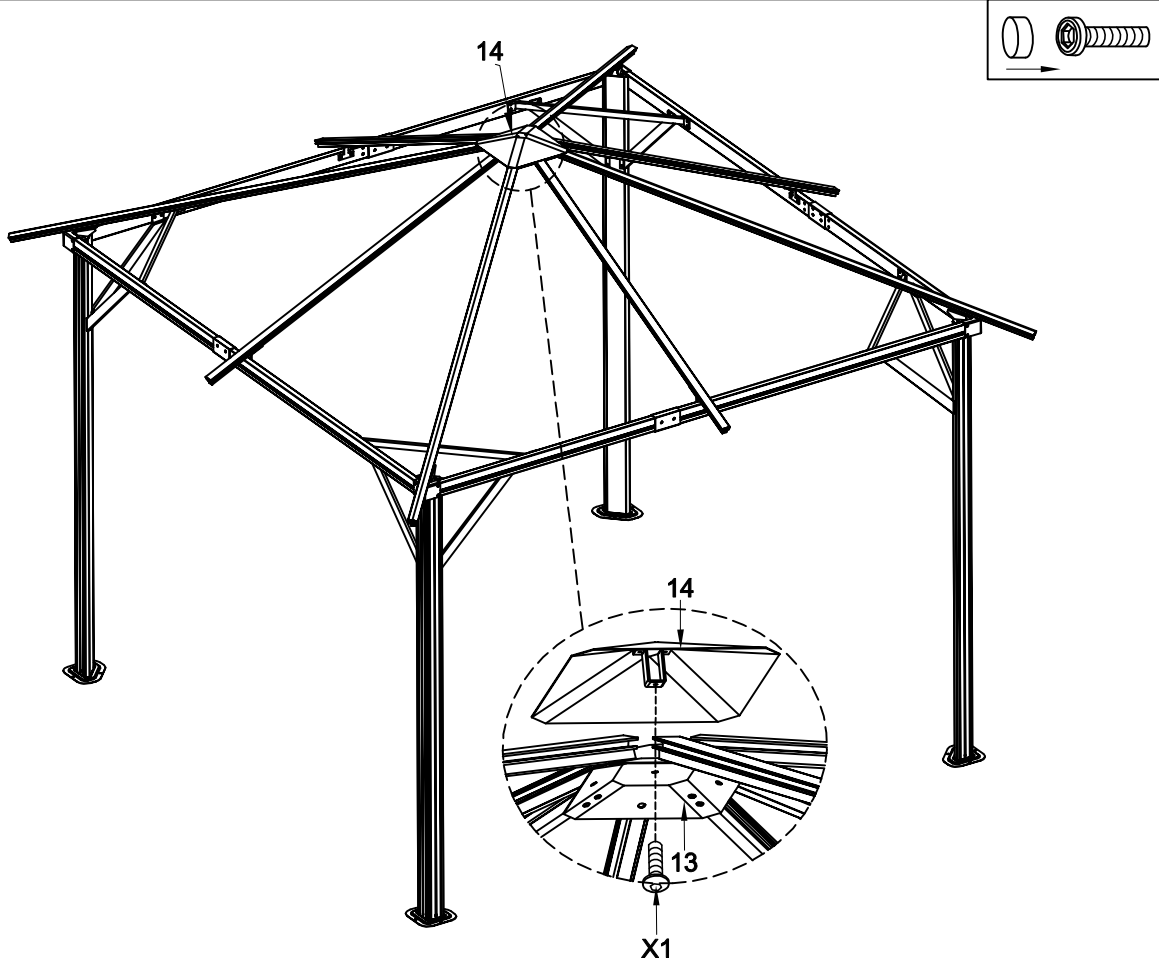
STEP 8



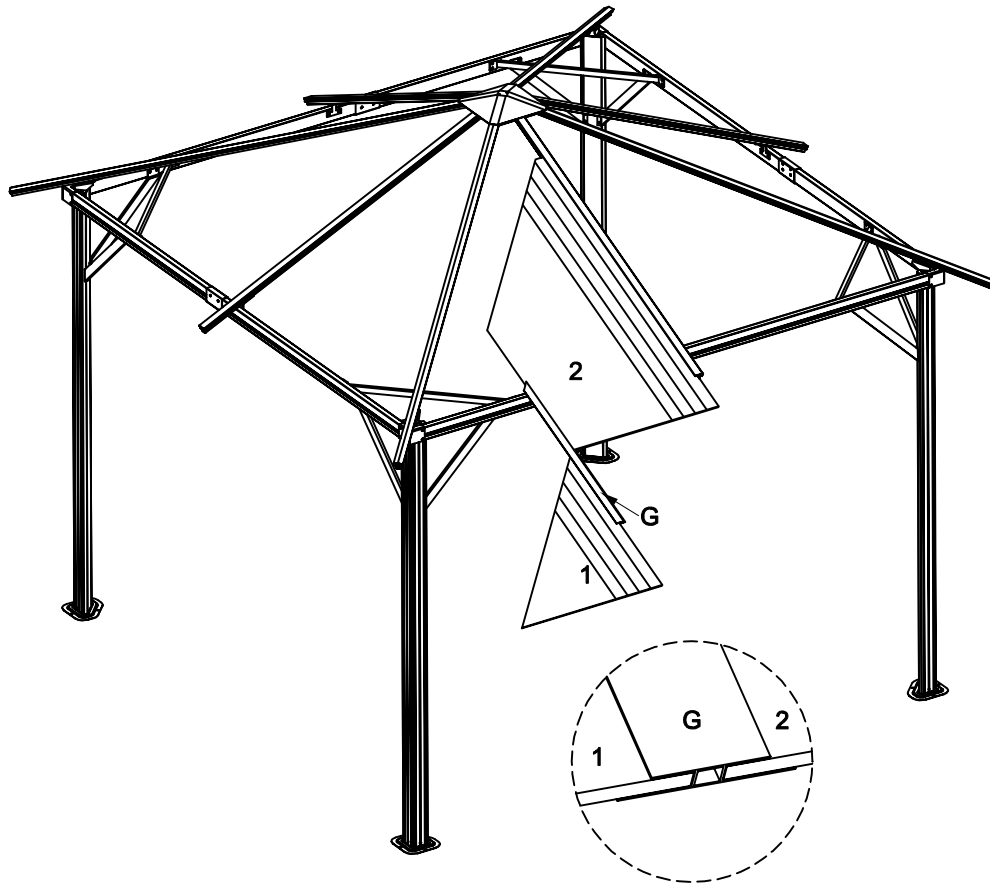
STEP 9



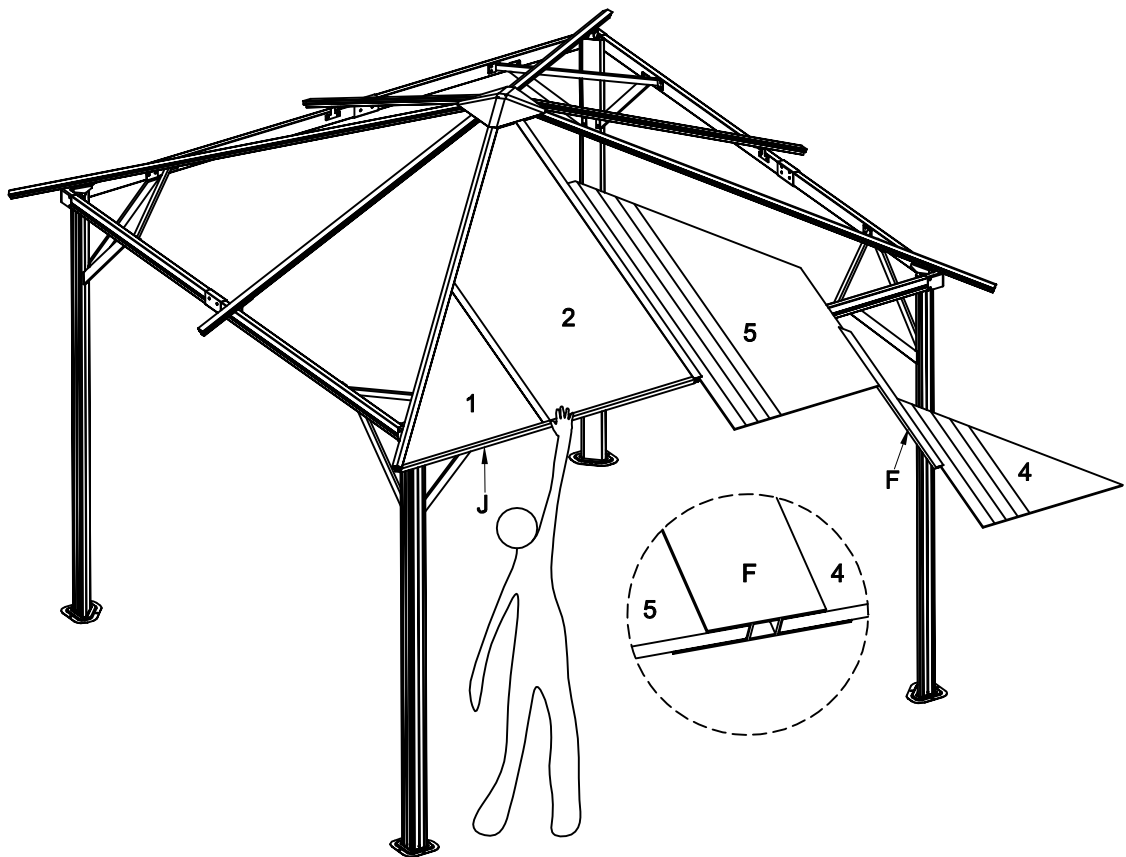
STEP 10



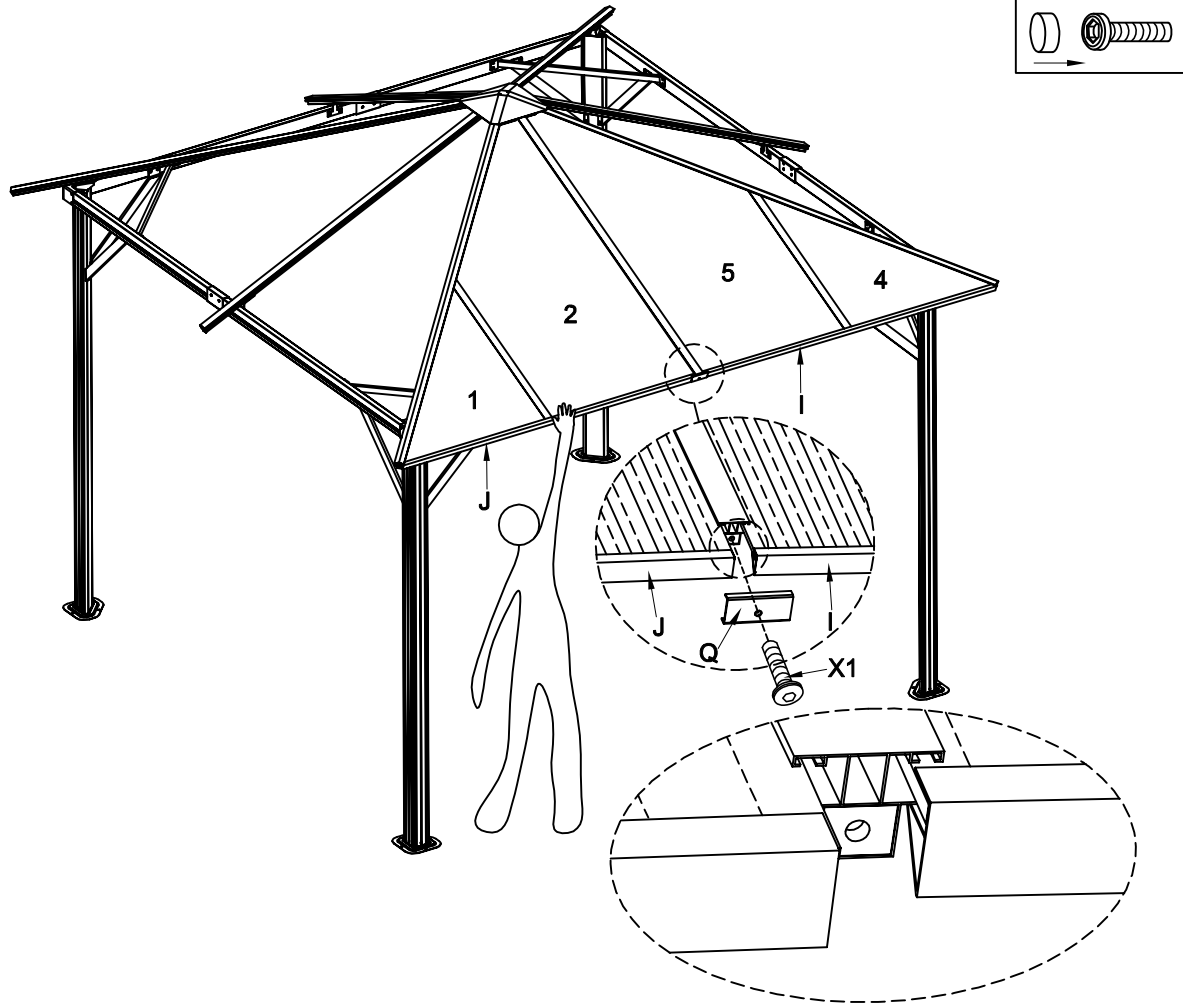
STEP 11



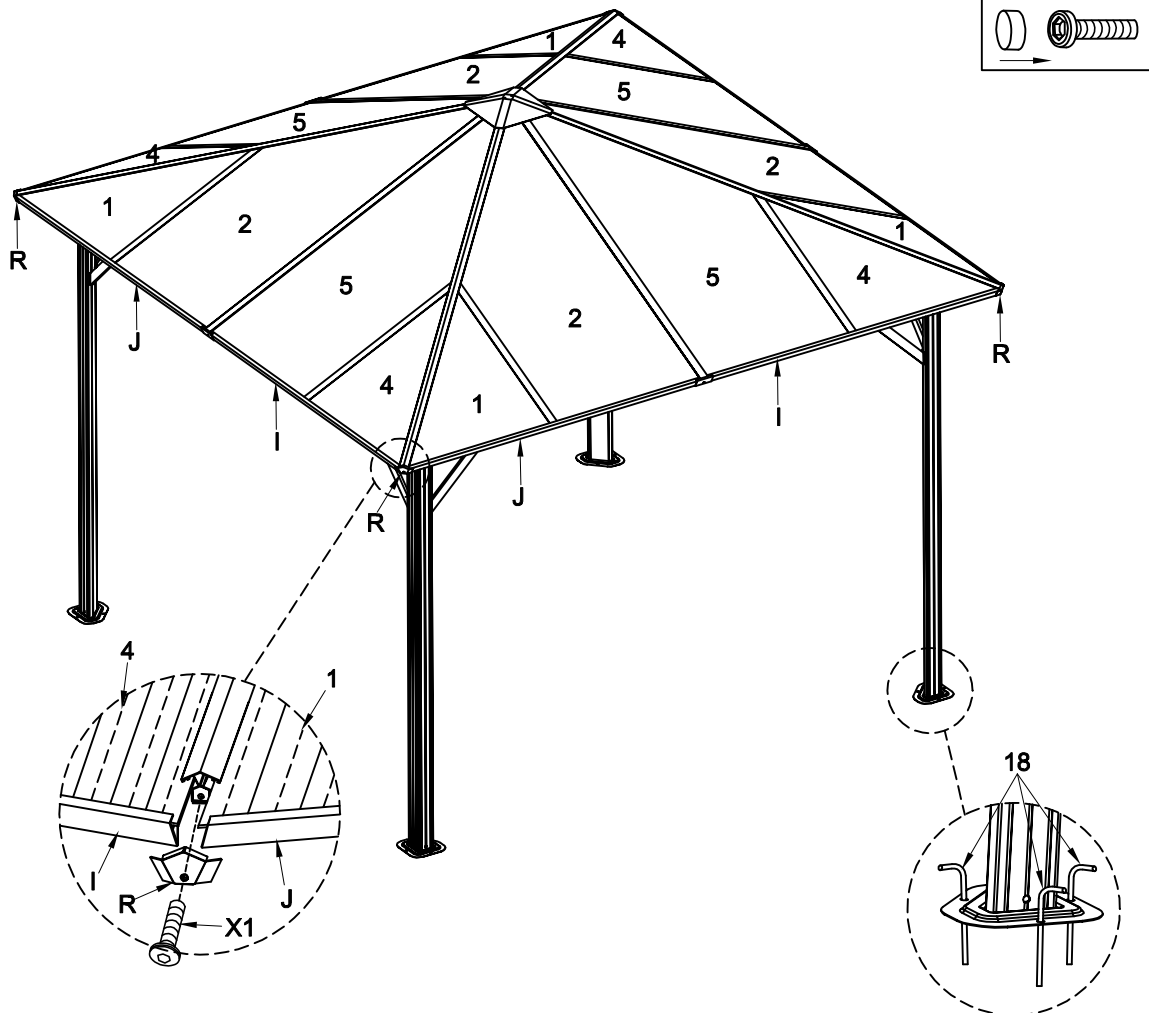
STEP 12



STEP 13



STEP 14



STEP 15

