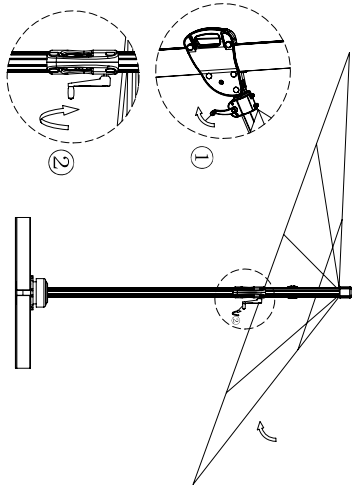
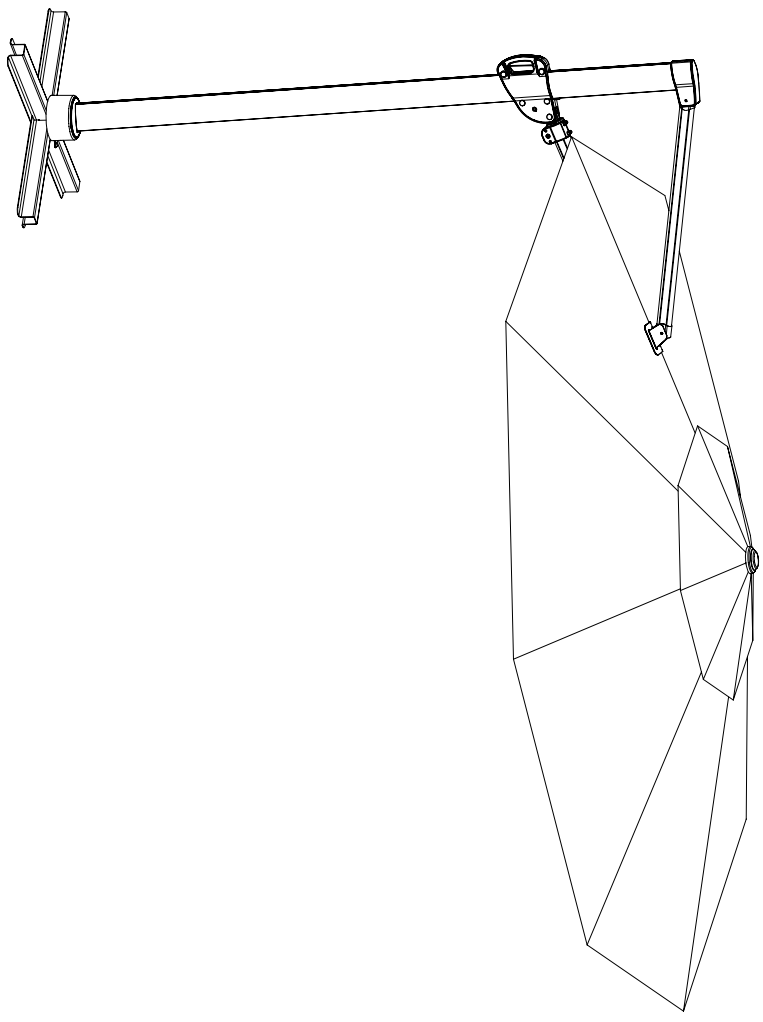
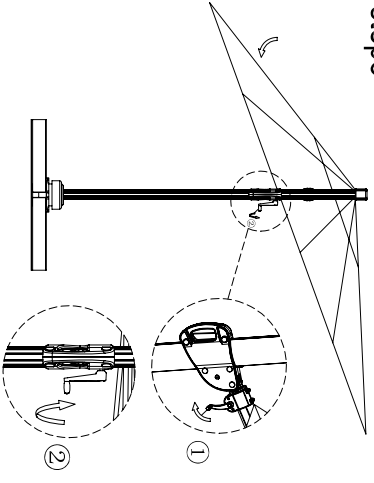


step7



step8



# Parts & Tools

PART	QTY	PICTURE	PART	QTY	PICTURE
A	1		G	1	
B	1		H	1	
C	1		I	1	
D	8		J	1	
E	8		K	1	
F	1				

