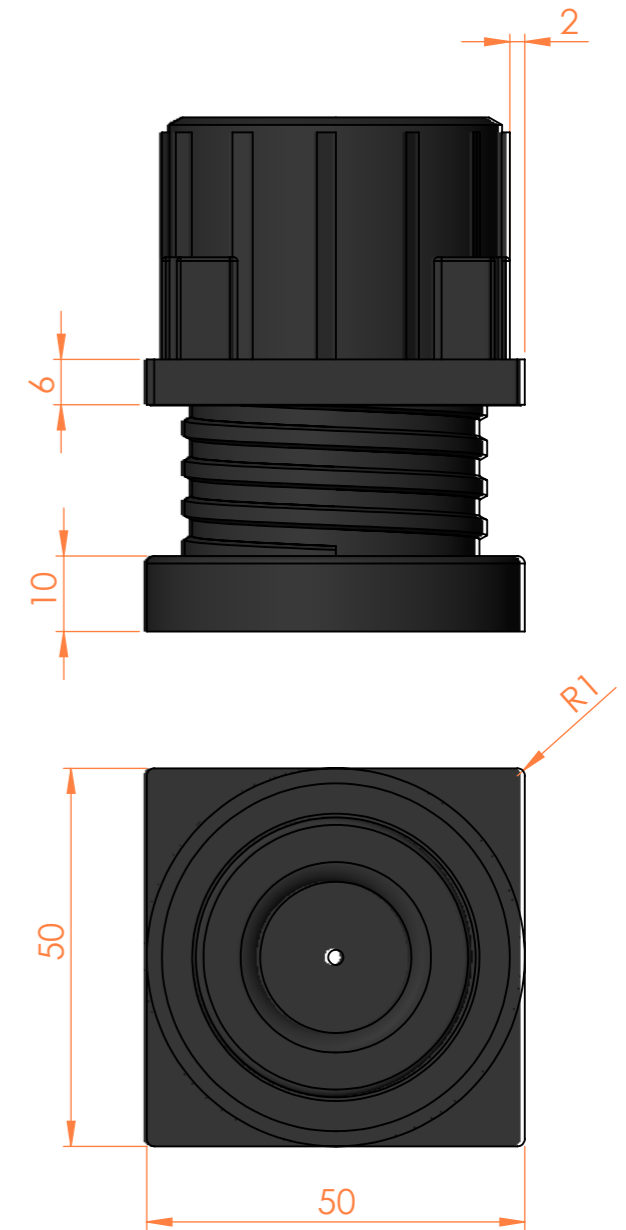
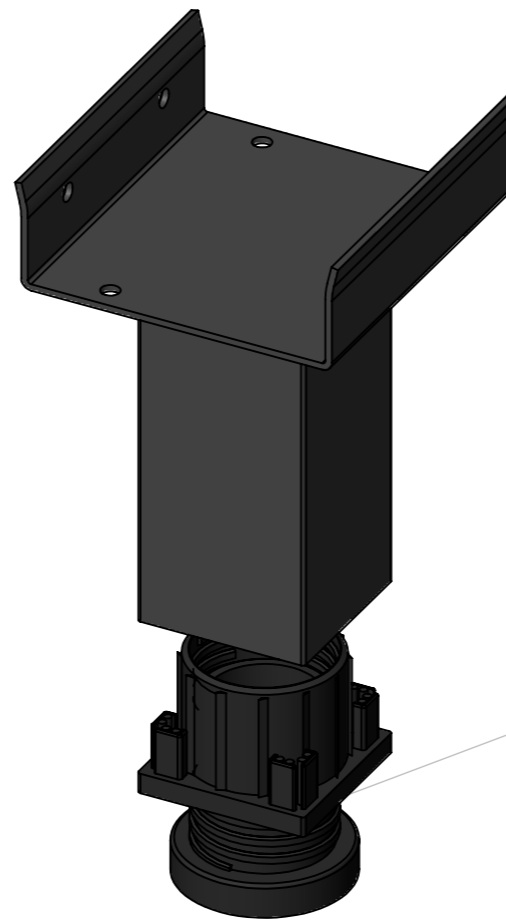
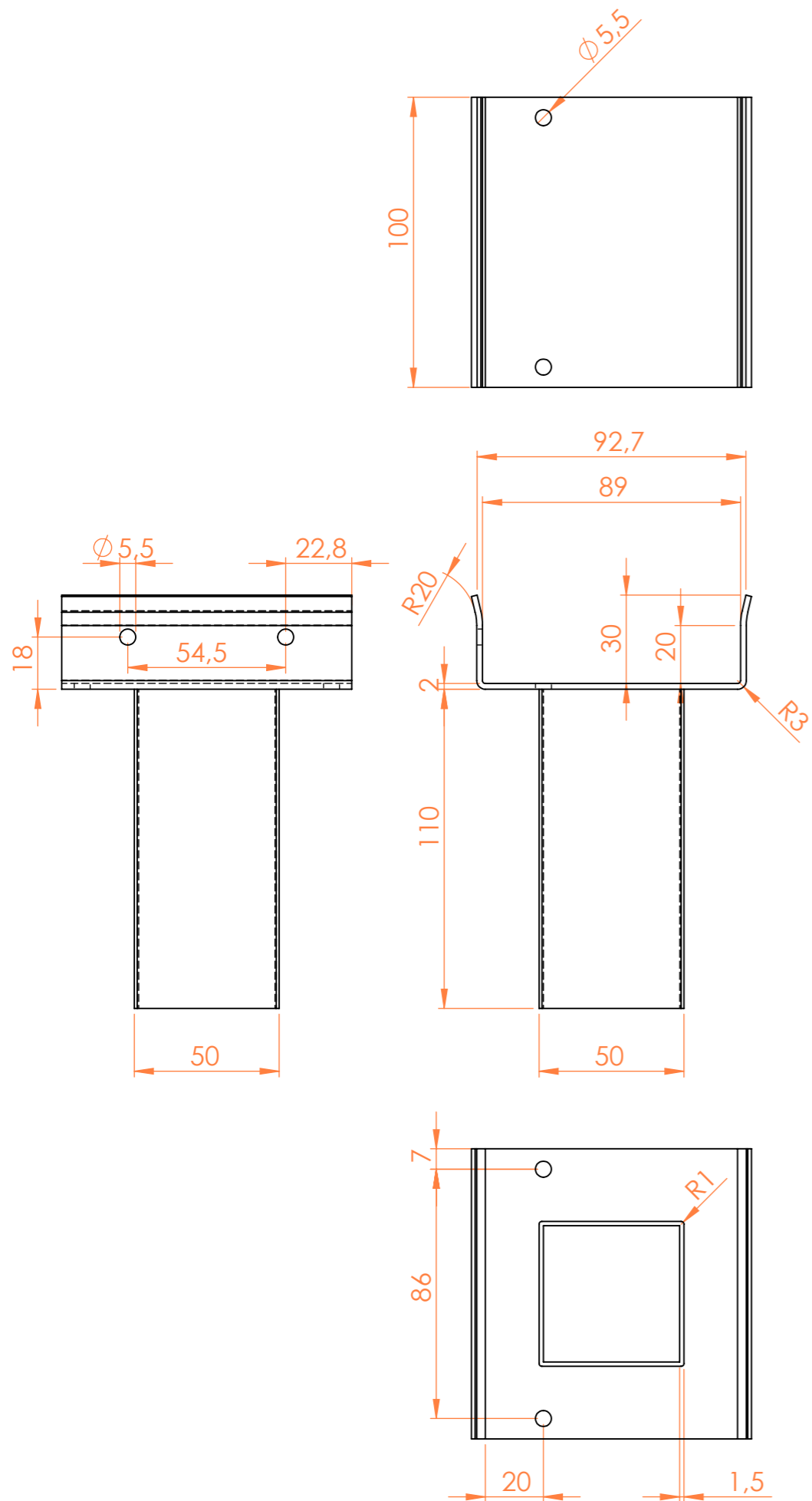
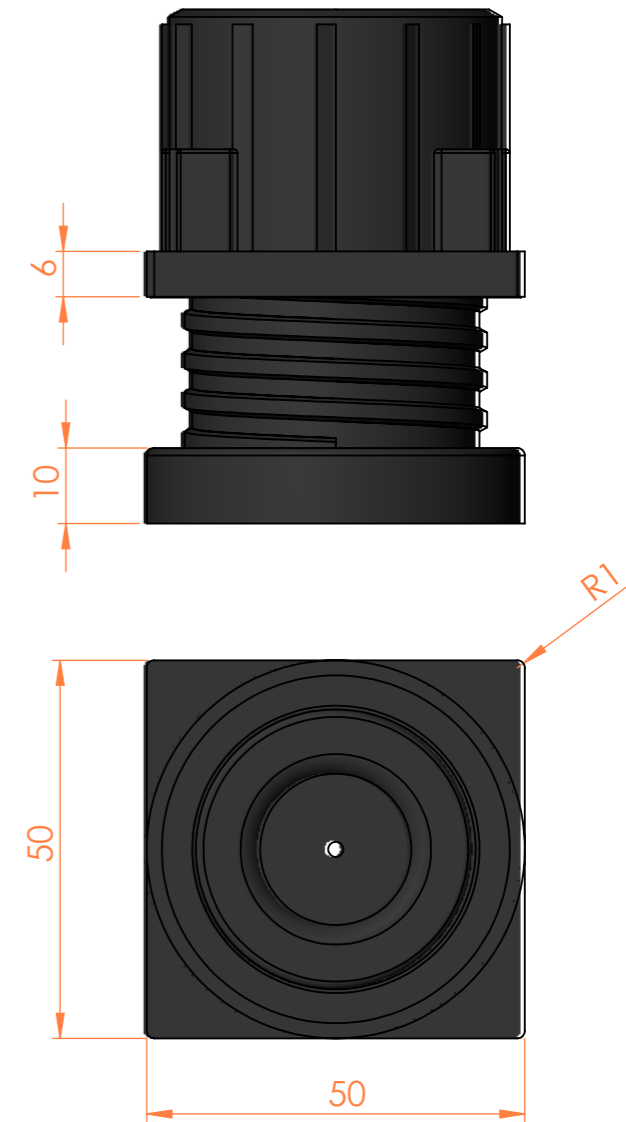
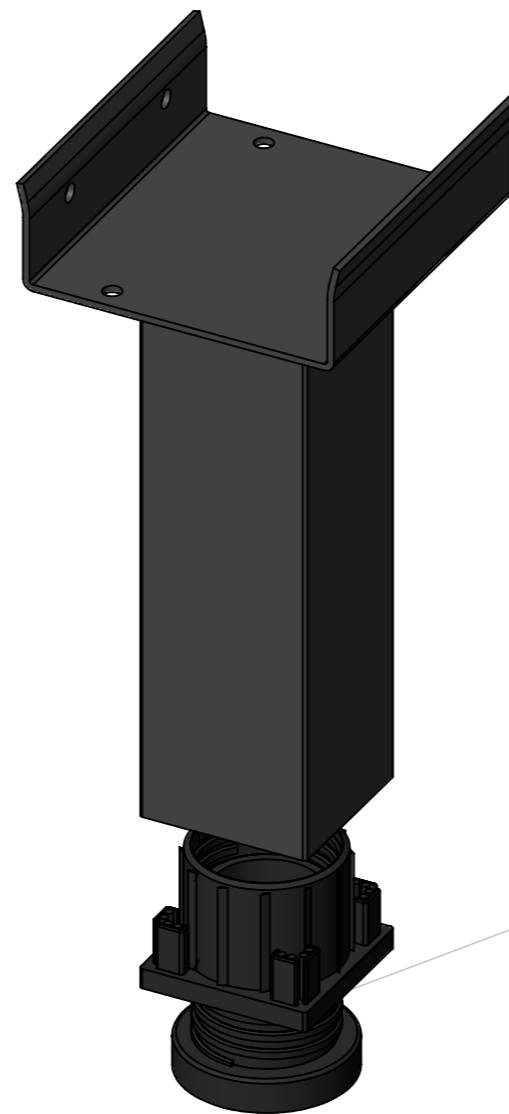
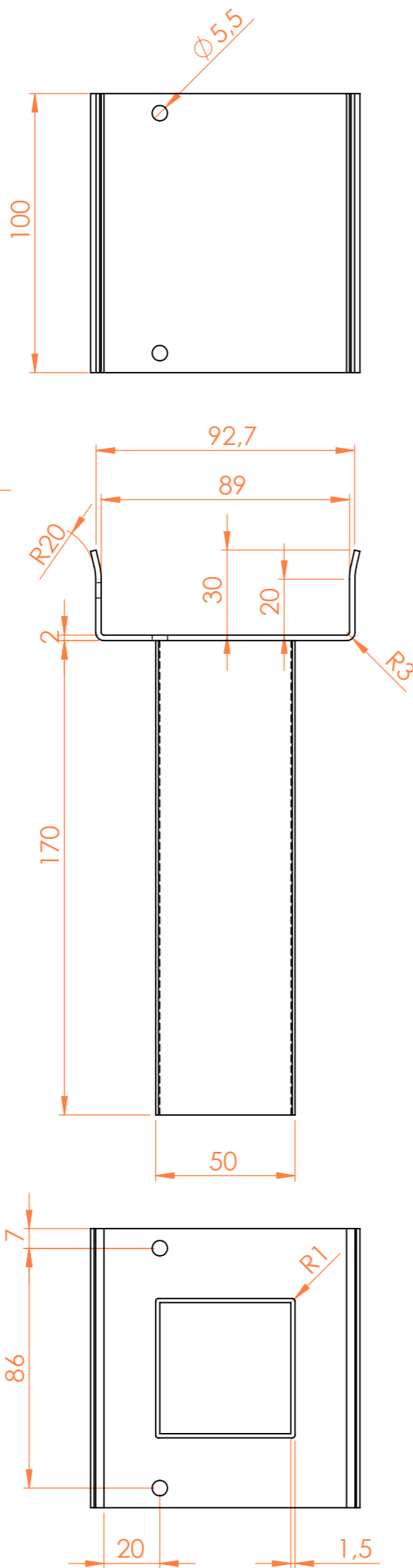


Support Leg 13, 19 & 23 cm



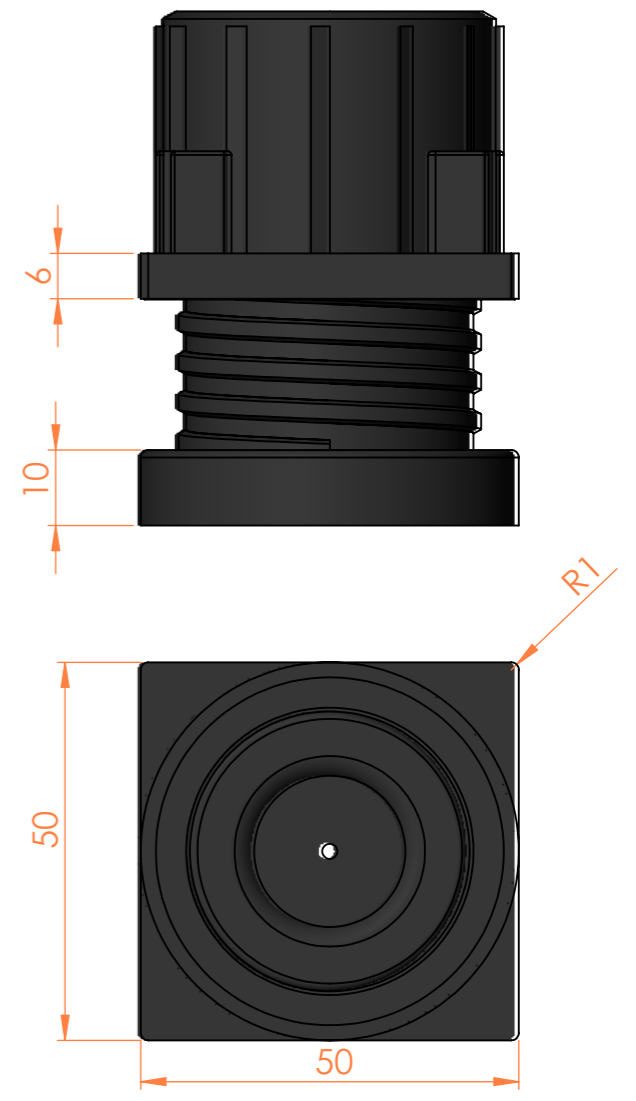
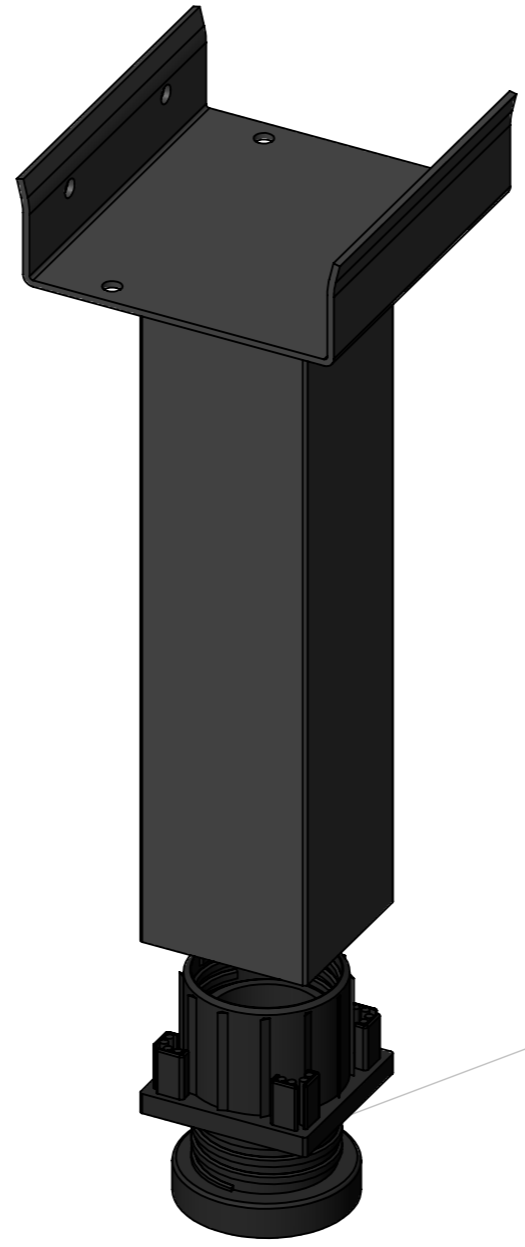
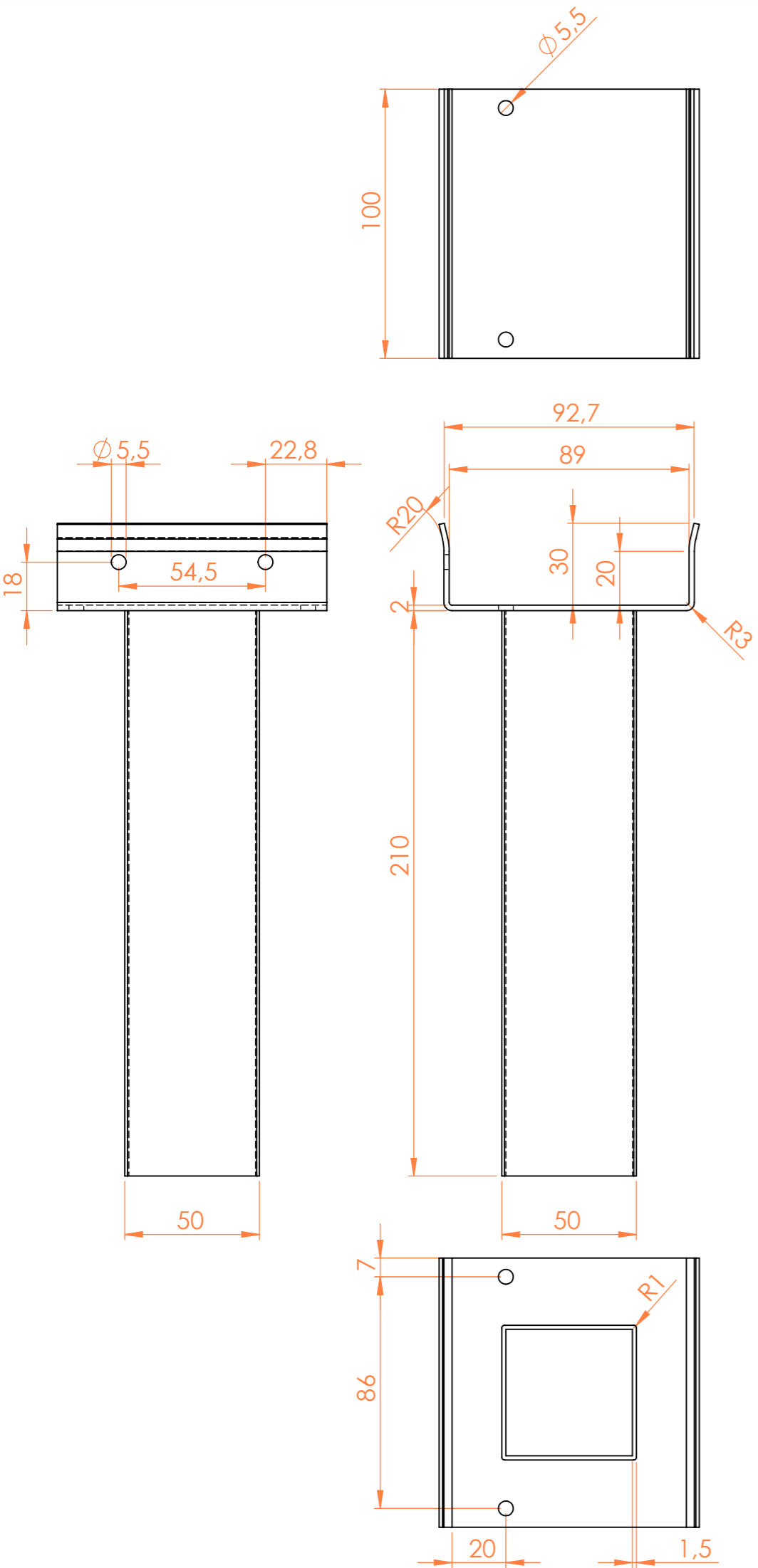
Standard Component
 Height adjustable min 40mm
 Material: Plastic
 Scale 1:1

TITLE: Support leg 13cm			
Constructor L.Boe	MATERIAL: Steel	Unit mm	A3
Date: 21.08.2017	SCALE 1:2	SHEET 2 OF 4	



Standard Component
 High adjustable min 40mm
 Material: Plastic
 Scale 1:1

TITLE: Support leg 19cm			
Constructor L.Boe	MATERIAL: Steel	Unit mm	A3
Date: 21.08.2017	SCALE 1:2	SHEET 3 OF 4	



Standard Component
 High adjustable min 40mm
 Material: Plastic
 Scae 1:1

TITLE: Support leg 23cm			
Constructor L.Boe	MATERIAL: Steel	Unit mm	A3
Date: 21.08.2017	SCALE 1:2	SHEET 4 OF 4	