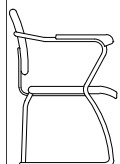
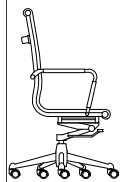
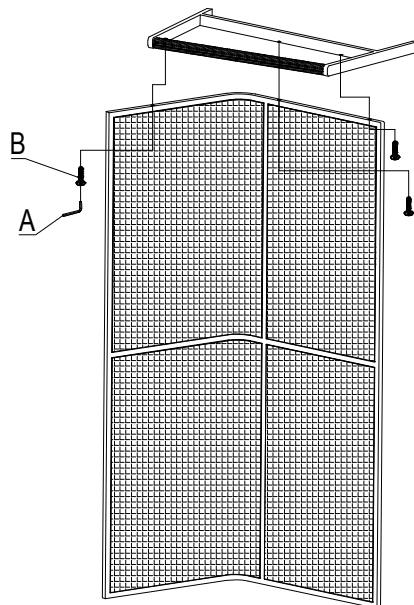


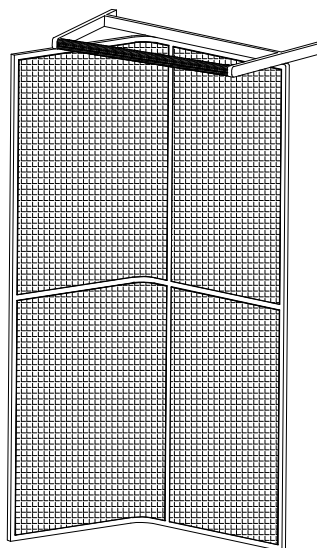
Thank you very much for your support and cooperation! please check if there are missing components in the carton before assembling the goods, thanks!



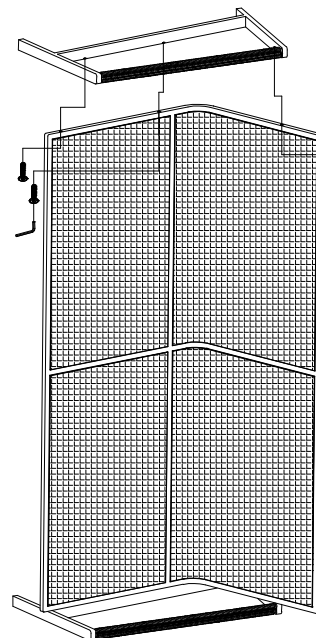
STEP 1



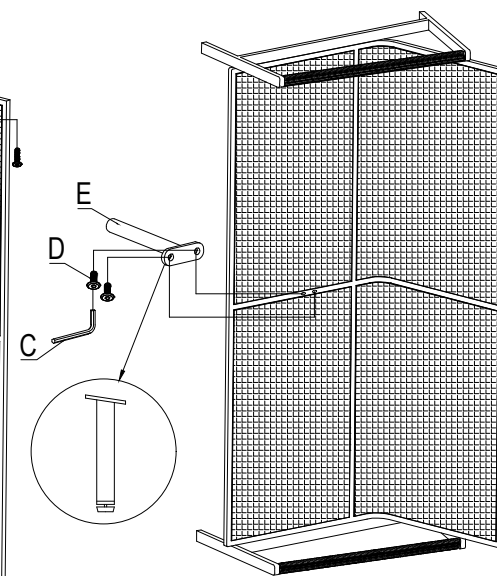
STEP 2



STEP 3








STEP 4



- Note: 1, Placing the package carton or wrapping material on the floor as a protection during the installation process. Side laying the frame and install the screws as picture 1.;  
 2, Tighten the screws as pictures 2.;  
 3, The installation for the other side is the same as in step 1, see picture 3.;  
 4, Support leg. Tighten the screws as picture 4.

TS-31-3

NO.	A	B	C	D	E
TYPE	 5mm	 M8x50	 4mm	 M6x15	
QTY.	1 PC	6 PCS	1 PC	2 PCS	1 PC