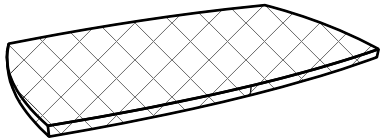
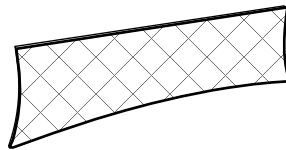


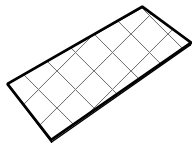
A x 1



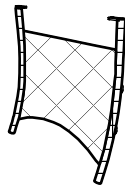
B x 2



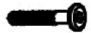


D x 1



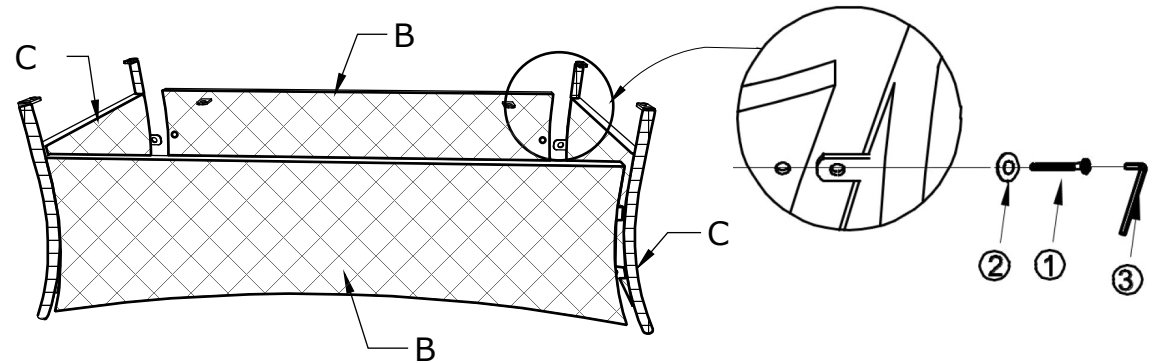
C x 2



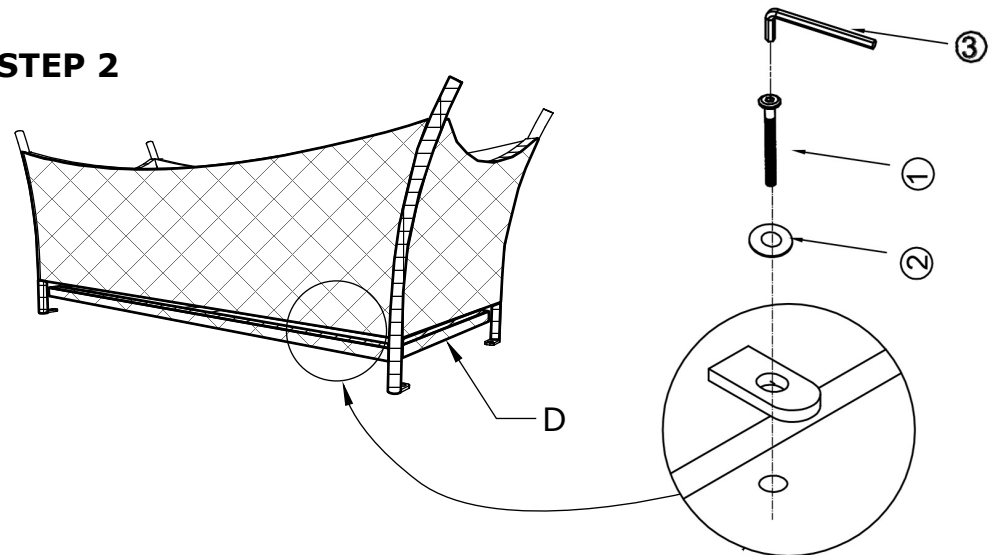
HARDWARE LIST

Code	Description	Qty
1	BOLT M6x25mm 	16 pcs
2	FLAT WASHER 	16 pcs
3	ALLEN WRENCH 	1 pcs

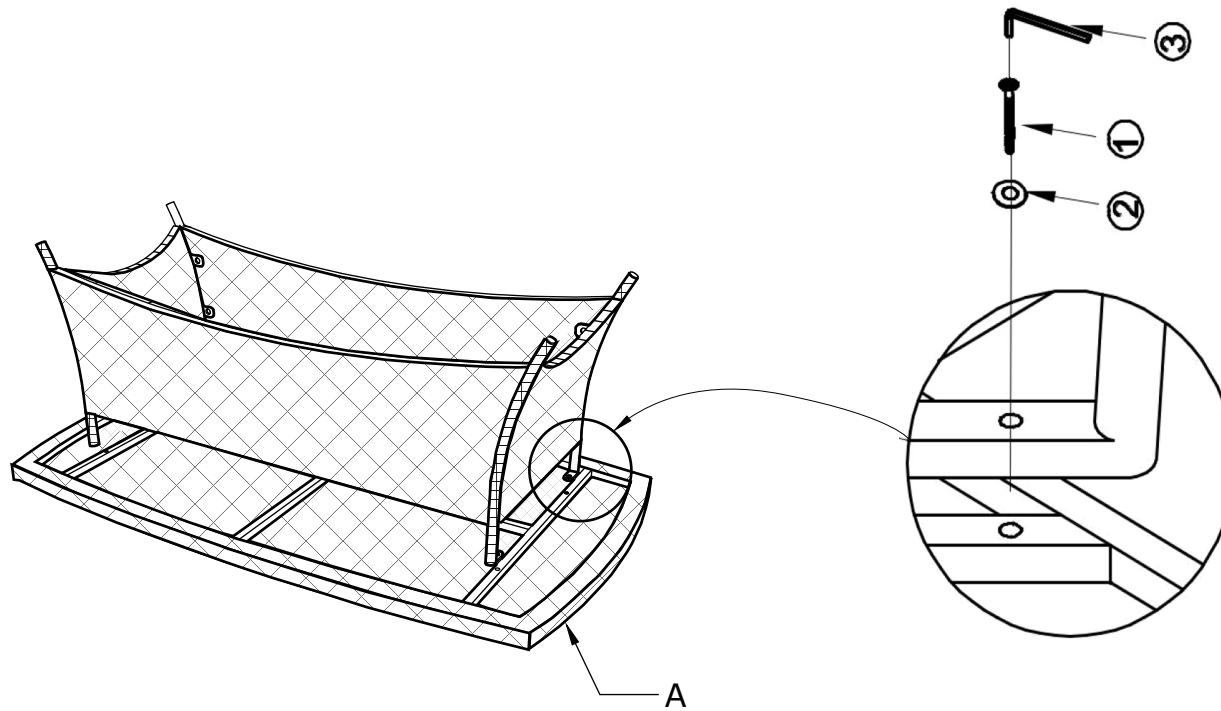
STEP 1



STEP 2



STEP 3



Note: Tighten bolt and washer 80% only in each step.
Then tighten 20% more to complete