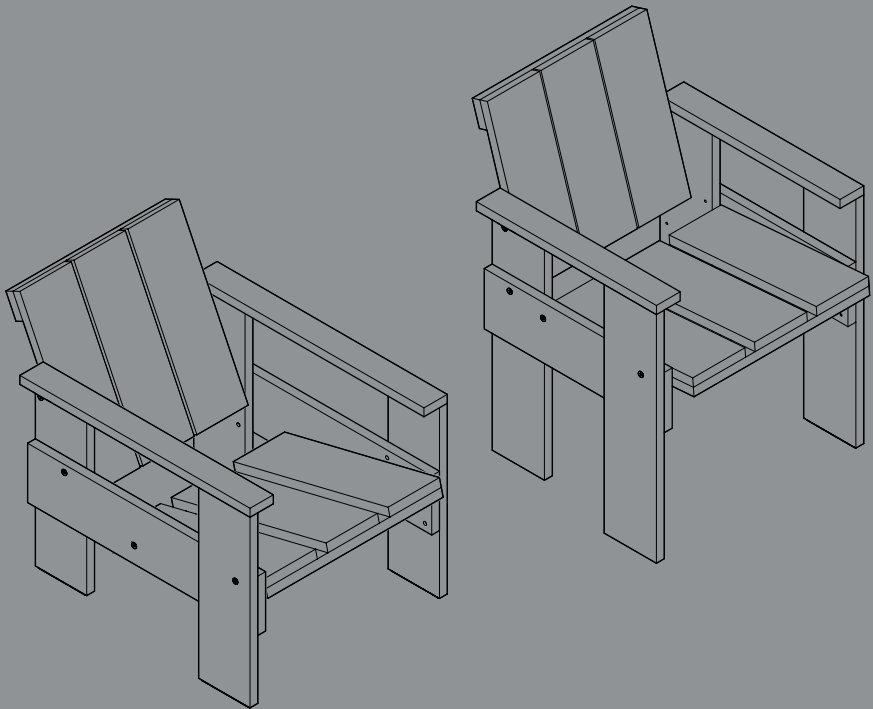


- INSTRUCTION MANUAL -

CRATE COLLECTION

DINING CHAIR AND LOUNGE CHAIR



DESIGN BY GERRIT RIETVELD

HAY

- CARE AND MAINTENANCE -

With a little care you can prolong the life of your furniture. Follow the instructions for the materials of your specific product to make sure that it stays in the best shape for as long as possible. The information below is only intended as a general guideline.

PINEWOOD WITH OUTDOOR LACQUER

This product is made from high-quality pinewood. We have treated this product with an outdoor water-based lacquer to make it suitable for outdoor use. The lacquer consists of a 3-layer process; a primer and two layers of topcoat to guarantee a long-lasting surface treatment. Over time, the surface colour and appearance will slowly change, which is a natural process due to exposure to sunlight and different weather conditions. The wood has been dried to a humidity specifically for outdoor use, which enables it to withstand outdoor conditions. Therefore, we recommend that it is only used outdoors to avoid risk of wood shrinkage.

CAUTION / OUTDOOR WOODEN FURNITURE

- Outdoor wooden furniture must be washed regularly to remove dust and other dirt that might result in mould, rot, and surface discolouration.
- Always remove stains quickly before they can do any permanent damage to the furniture.
- Make sure to wipe off any sun cream or other liquids from the furniture after use, as these can leave stains on the surface if left in direct sunlight.
- Wipe off the furniture if it becomes wet after rain or snowfall as this will damage the surface over time.
- Wipe off bird droppings quickly as they may lead to permanent corrosion or staining.
- Please be aware that the product will always be naturally affected by the surrounding environment it is exposed to, and that a certain amount of discoloration is to be expected.
- When you move your furniture, make sure you lift it rather than pulling or pushing it to avoid damaging the floor, legs and mountings.
- It is recommended that all screws are checked regularly and tightened after a few weeks of use.

- Avoid improper use such as sitting on the back or armrests, tilting the seats on their back legs, putting your feet on the furniture or standing on it.
- Be careful not to scratch or damage the surface with sharp objects.
- Avoid partially covering the surface, for example with tablecloths, cushions or place mats, as colour variances may appear.

CLEANING & CARE

WATER-BASED LACQUER

Wipe with a clean cloth wrung in water or in a solution of water and a neutral detergent. Remove soap residue immediately using a clean, dry cloth. Avoid using detergents containing silicone, as they seal the stain in and make subsequent repairs more difficult. Never use soft soap or solvents such as spirit, turpentine, or acetone. Do not use cleaning products containing alcohol, as they may damage the surface. Avoid using scouring cream or scouring pads, as they may scratch the surface.

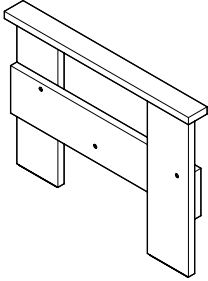
RESIN

Resin bleeding is a natural occurrence in pinewood. When temperatures rise above 35 degrees, a natural process begins that can cause resin to come out of the wood. Allow the resin to weather until it dries and oxidises, forming a white crystalline powder. The dried resin can then be removed with a stiff nylon or natural bristle brush, and any remaining residue washed off with a cloth.

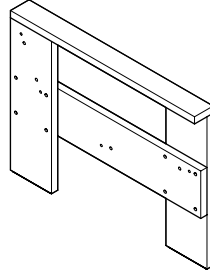
STORAGE / WOOD

The lifespan of your furniture will vary depending on the weather and type of use. We recommend that you store it in a cool, ventilated place during winter, protected from scratches and bumps to ensure that no mould or rot can form. Make sure the furniture is completely dry before putting it away for winter storage. If you are unable to provide indoors storage for your furniture in a shed, garage or suchlike, the furniture must be placed under a cover so that snow or rain does not come into contact with the wood. If a rug is used as a cover, it should not be in contact with the wood, to allow air to flow through to avoid any discolouration, mould or rot from forming.

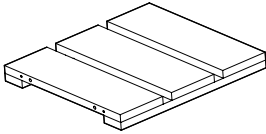
- PARTS -



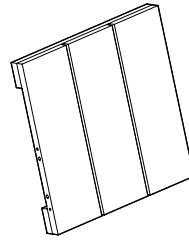
A Left side x1



B Right side x1



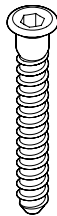
C Seat x1



D Backrest x1



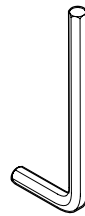
E Washer x8



F Screw x8



G Dowel x8

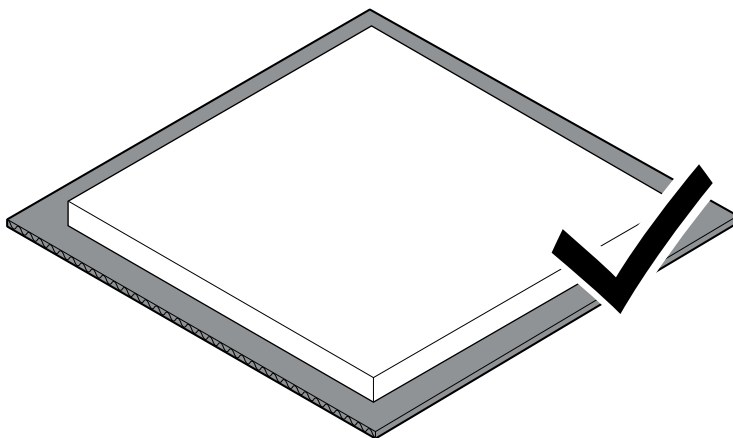
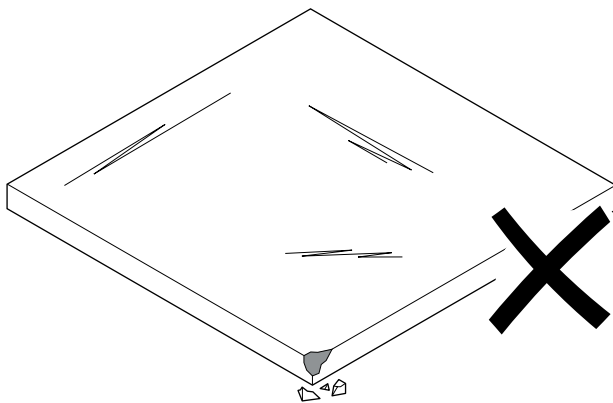


H Allen key x1

This manual shows the Crate Lounge Chair.
The same assembly procedure applies to the Crate Dining Chair.

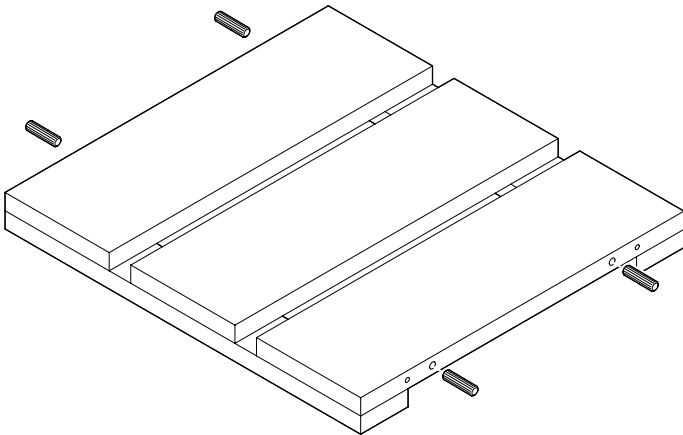
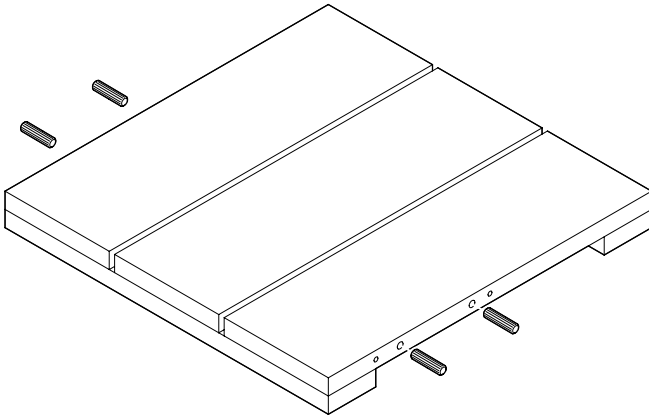
It's recommended to be two persons performing the assembly.

Protect the chair from scratches and other damage while assembling by using the cardboard packaging as underlay.



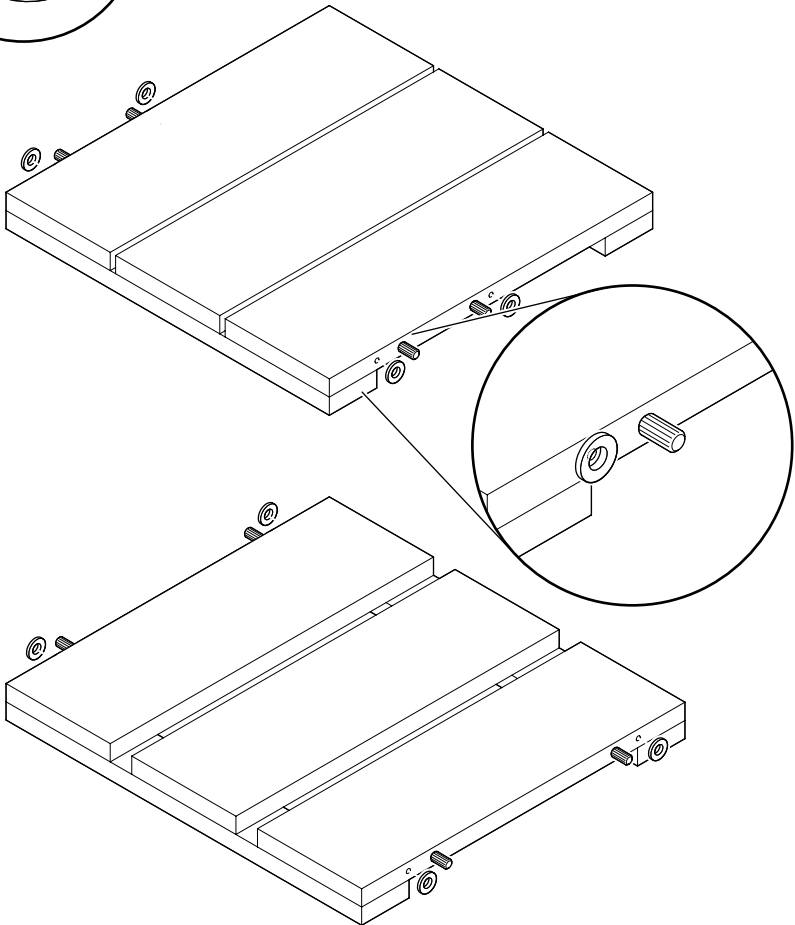
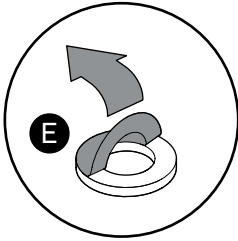
1.

Place the dowels **G** on the sides of the seat **C** and backrest **D**.



2.

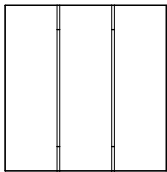
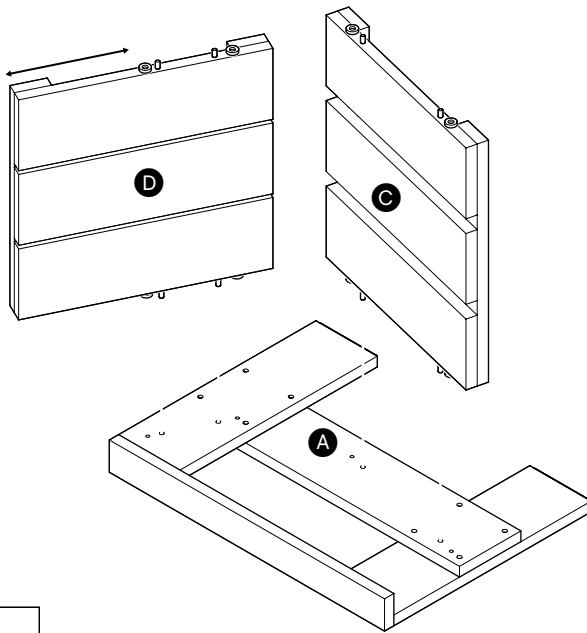
Remove the protective film from the self-adhesive washers **E**.
Place the washers so they go over the screw holes as illustrated below.



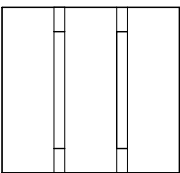
3.

Place the seat **C** and backrest **D** on side **A**.

Make sure the backrest turns the right way,
with the longer section pointing away from the chair.



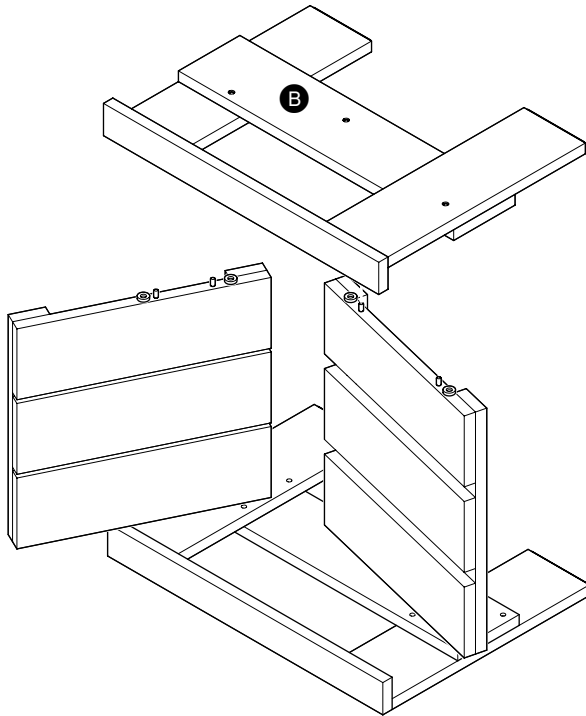
D BACKREST



C SEAT

4.

Place side **B** on top.



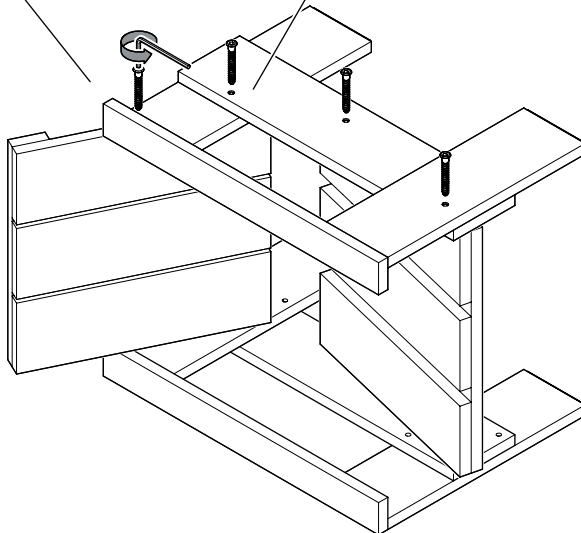
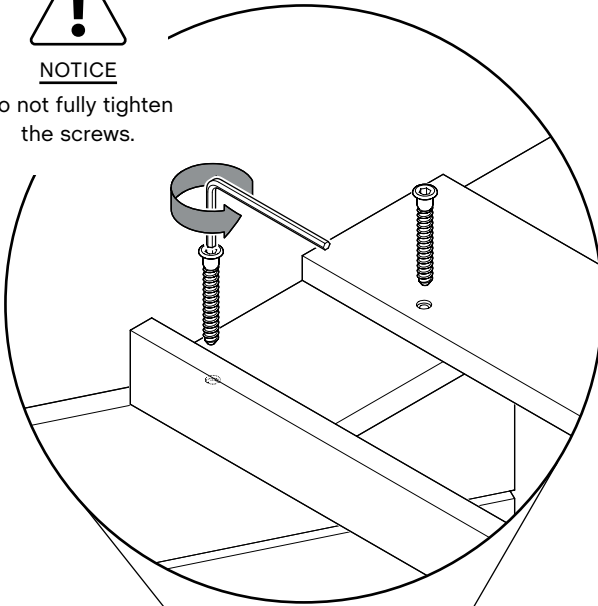
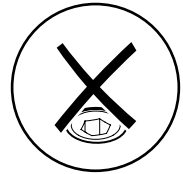
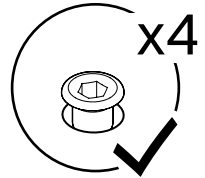
5.

Mount all the screws **F** with the Allen key **H**.



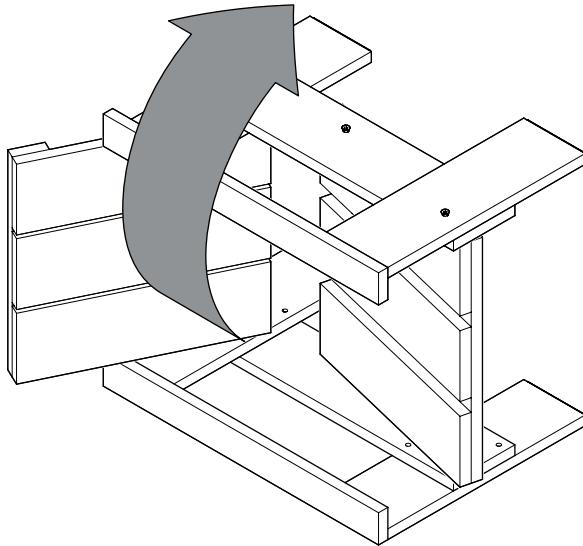
NOTICE

Do not fully tighten
the screws.



6.

Carefully turn the chair over, making sure the loose end does not lose its position.



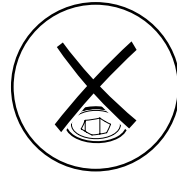
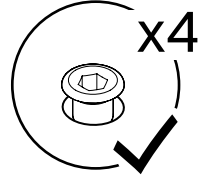
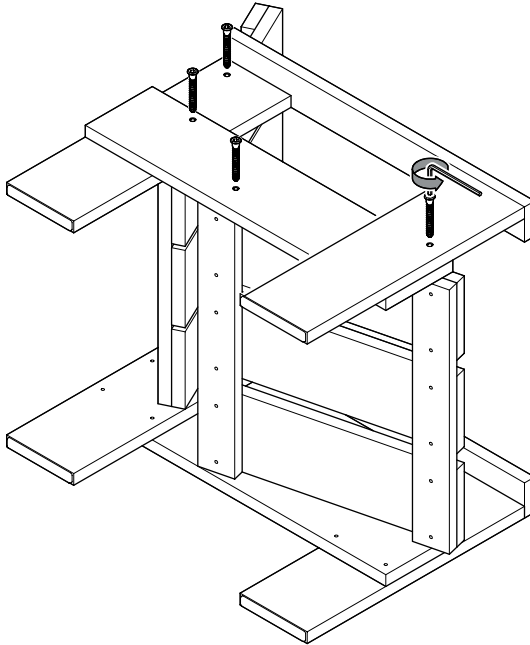
7.

Mount the remaining 4 screws **F** with the Allen key **H**.



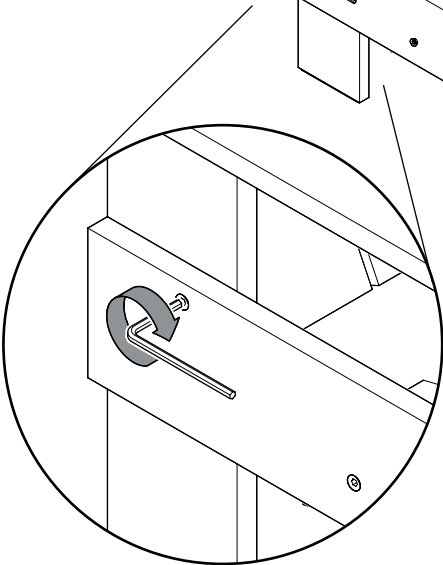
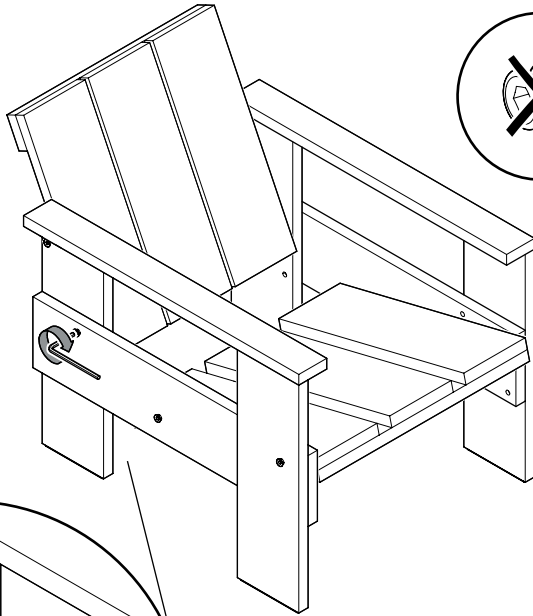
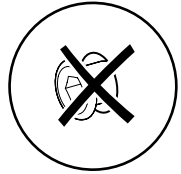
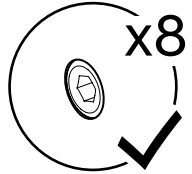
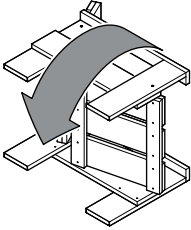
NOTICE

Do not fully tighten
the screws.



8.

Place the chair upright and fully tighten all screws. Do not overtighten.

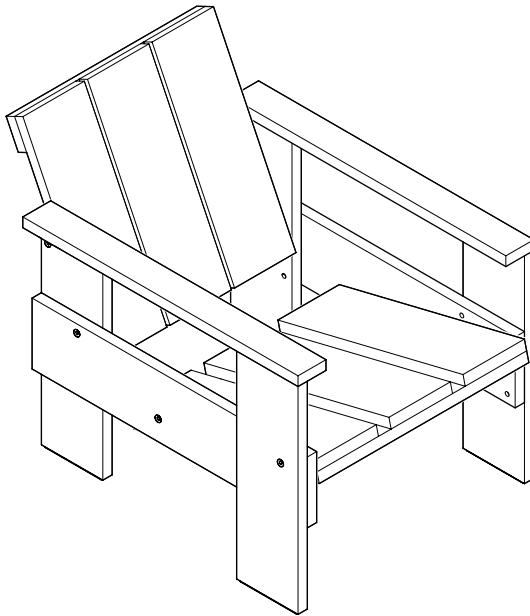


NOTICE

Do not overtighten the screws as this can damage the product.

9.

Ready to use. Retighten screws after a few weeks of use if needed.



- CARE & MAINTENANCE -

Our Care & Maintenance offers guidance for optimal maintenance of your HAY product. It includes advice and instructions on cleaning and caring for specific materials to prolong the life of your furniture.



Please find our Care & Maintenance guide by scanning the QR code



You can find more relevant information on Crate Chair by scanning the QR code

You can also find the same information here hay.dk/downloads

Havnen 1 8700 Horsens Denmark
+45 3164 6000 / hay@hay.com

24/02/2023

HAY